

ekin PROFİL®

ALÜMİNYUM SİSTEMLER

CEPHE KATALOGU

FACADE CATALOG



www.ozekin.com.tr



Üretim Tesisi (Production Facility)

Öz Ekin Grup; 1988'den bu yana sahip olduğu tecrübesi ve alanında profesyonel kadrosu ile tam donanımlı olarak Malatya 2. Organize Sanayi'de 20.000 metrekare alan üzerinde kurulmuştur. PVC & Alüminyum Sistemler, Cam İşleme Tesisi ve Teknik Camlama Sistemleri (Cam Balkon Sistemleri) olarak 3 ana alanda hizmet vermektedir. **Ekin Profil** markamızla PVC ve alüminyum sektöründe Türkiye ve dünyadaki müşterilerimize ürün ve hizmet sunmaya devam ediyoruz.

VİZYONUMUZ

PVC & Alüminyum Profil Sistemlerinde yaptığımız yenilikçi ürünler ile rakiplerini geri çekmeden sektörün lideri olmaktır.

MİSYONUMUZ

Geliştirdiğimiz ürünler ile sektörümüzde dünyaya öncülük etmek.



Oz Ekin Group has been established on an area of 20.000 square meters in Malatya 2nd Organized Industrial Zone with its experience and professional staff since 1988. It serves in 3 main areas as PVC & Aluminum Systems, Glass Processing Plant and Technical Glazing Systems (Glass Balcony Systems). With our brand **Ekin Profil**, we continue to offer products and services to our customers in Türkiye and all around the world in the PVC & aluminum industry.

OUR VISION

To be the leader of the industry with the innovative products we make in PVC & Aluminum Profile Systems.

OUR MISSION

To lead our industry in the world with the products we have developed.



Certification of Registration

CE

CE DECLARATION OF CONFORMITY / AT UYGUNLUK BEYANI
Certificate No:- QACS-CE-TUR-OE-882

**ÖZ EKİN PVC KOLLEKTÖR SANAYİ VE TİCARET
LİMİTED ŞİRKETİ**

ADDRESS: 2. ORGANİZE SANAYİ BÖLGESİ HAVAALANI YOLU 4. KM
YEŞİLYURT / MALATYA TÜRKİYE
SITE 1: KAVAKLIBAĞ MAHALLESİ HALEP CADDESİ LEBLEBİCİ
SOKAK NO: 2 MALATYA / TÜRKİYE
SITE 2: MALATYA TEKNOKENT TTK ELAZIĞ YOLU İNÖNÜ ÜNİVERSİTESİ
KARŞISI MALATYA / TÜRKİYE

That the following described product in our delivered version complies with the applicable basic safety and health requirements of the Construction Products Directive (CPD) as amended based on its design and type, as brought into circulation by us. In case of alteration of the product not agreed upon by us, this declaration will lose its validity

**This is to certify that the technical documentation for the -
PRODUCT:-**

PVC KAPI VE PENCERE SİSTEMLERİ, ALÜMİNYUM KAPI, PENCERE, CEPHE, KOMPOZİT VE KORKULUK, FOTSEL, PANJUR, KEPENK, CAM BALKON SİSTEMLERİ, PERGOLA, TENTE, HAREKETLİ KÜPEŞTE (GIYOTİN SİSTEMİ) VE MOTORLU AÇILIR ÇATI SİSTEMLERİ ÜRETİMİ, SATIŞI VE MONTAJI PRODUCTION, SALES AND INSTALLATION OF PVC DOOR AND WINDOW SYSTEMS, ALUMINUM DOOR, WINDOW, FRONTAGE, COMPOSITE AND RAILING, PHOTOCELL, SHUTTER, BALCONY GLAZING SYSTEMS, PERGOLA AND SHADING SYSTEMS, AWNING AND TENTS, MOVING HANDRAIL (GUILLOTINE SYSTEMS) AND MOTORIZED RETRACTABLE ROOF SYSTEMS

Certificate Issue Date:- 03/04/2019
Certificate Expiry Date:- 02/04/2022

This certificate is issued under the following conditions:-

1. It applies only to the quality system maintained in the trading of above referenced products and it does not substitute the design or type examination procedure, if requested.
2. The certificate remains valid until the trading conditions or the quality systems are changed.
3. The certificate validity is conditioned by positive results or surveillance audits.
4. After fulfilling the relevant EU legislation, the trader shall affix to each product, of the referenced products, the CE mark as shown above can be used, under the responsibility of the trader, after completion of an EC declaration of conformity and compliance with all relevant EC directives. The statement is based on a single evaluation of the sample of above mentioned product. It does not imply an assessment of the whole trading facility.


Authorized Signatory



QACS International
Email Id: info@qacertification.asia, operationqacs@gmail.com, officeqacs@gmail.com
www.qacsworld.com, www.qacsintl.ae





Certification of Registration

ÖZ EKİN PVC KOLLEKTÖR SANAYİ VE TİCARET LİMİTED ŞİRKETİ

ADDRESS: 2. ORGANİZE SANAYİ BÖLGESİ HAVAALANI YOLU 4. KM
YEŞİLYURT / MALATYA TÜRKİYE
SITE 1: KAVAKLIBAĞ MAHALLESİ HALEP CADDESİ LEBLEBİCİ
SOKAK NO: 2 MALATYA / TÜRKİYE
SITE 2: MALATYA TEKNOKENT TTK ELAZIĞ YOLU İNÖNÜ ÜNİVERSİTESİ
KARŞISI MALATYA / TÜRKİYE

QACS INTERNATIONAL

Certify that the information "Energy Management System" of the above organisation has been Audited and found to be in accordance with there qulrements of standard detailed below.

ISO 50001:2011

PVC KAPI VE PENCERE SİSTEMLERİ, ALÜMİNYUM KAPI, PENCERE, CEPHE, KOMPOZİT VE KORKULUK, FOTOSEL, PANJUR, KEPENK, CAM BALKON SİSTEMLERİ, PERGOLA, TENTE, HAREKETLİ KÜPEŞTE (GİYOTİN SİSTEMİ) VE MOTORLU AÇILIR ÇATI SİSTEMLERİ ÜRETİMİ, SATIŞI VE MONTAJI
PRODUCTION, SALES AND INSTALLATION OF PVC DOOR AND WINDOW SYSTEMS, ALUMINUM DOOR, WINDOW, FRONTAGE, COMPOSITE AND RAILING, PHOTOCELL, SHUTTER, BALCONY GLAZING SYSTEMS, PERGOLA AND SHADING SYSTEMS, AWNING AND TENTS, MOVING HANDRAIL (GUILLOTINE SYSTEMS) AND MOTORIZED RETRACTABLE ROOF SYSTEMS

Certificate No:- QACS-EMS-TUR-OE-019956

This certification was conducted in accordance with the qacs international f.z.c auditing and Certification procedures and it is remain valid subject to annual surveillance audits.

Certificate Issue Date: 3rd April 2019
Date of Initial Registration: 3rd April 2019
Certificate Validity:- 3 Years

1st Surveillance Date: 2nd April 2020
2nd Surveillance Date: 2nd April 2021
Expiry Date:- 2nd April 2022

Note: Certificate shall be valid after surveillance, only if continuation letter by QACS is present.

To Check the certificate validity please
Refer Web:- (www.qacsworld.com)

Authorised Signatory



QACS International

Email id: info@qacertification.asia, operationqacs@gmail.com, officeqacs@gmail.com
www.qacsworld.com, www.qacsintl.ae

SQR CERTIFICATION

SQR
INTERNATIONAL
CERTIFICATION

Sertifika
CERTIFICATE

**ÖZ EKİN PVC KOLLEKTÖR SANAYİ VE
TİCARET LİMİTED ŞİRKETİ**

2. ORGANİZE SANAYİ BÖLGESİ HAVAALANI YOLU 4. KM YEŞİLYURT/MALATYA/TÜRKİYE
KAVAKLIBAĞ MAHALLESİ HALEP CADDESİ LEBLEBİCİ SOKAK NO: 2 MALATYA/TÜRKİYE
MALATYA TEKNOKENT TTK ELAZIĞ YOLU İNÖNÜ ÜNİVERSİTESİ KARŞISI
MALATYA/TÜRKİYE

ISO/IEC 27001:2013

Kapsam/Scope

PVC KAPI VE PENCERE SİSTEMLERİ, ALÜMİNYUM KAPI, PENCERE, CEPHE,
KOMPOZİT VE KORKULUK, FOTOSEL, PANJUR, KEPENK, CAM BALKON
SİSTEMLERİ, PERGOLA, TENTE, HAREKETLİ KÜPEŞTE (GİYOTİN SİSTEMİ) VE
MOTORLU AÇILIR ÇATI SİSTEMLERİ ÜRETİMİ, SATIŞI VE MONTAJI

PRODUCTION, SALES AND INSTALLATION OF PVC DOOR AND WINDOW SYSTEMS,
ALUMINUM DOOR, WINDOW, FRONTAGE, COMPOSITE AND RAILING, PHOTOCCELL,
SHUTTER, BALCONY GLAZING SYSTEMS, PERGOLA AND SHADING SYSTEMS,
AWNING AND TENTS, MOVING HANDRAIL (GUILLOTINE SYSTEMS) AND
MOTORIZED RETRACTABLE ROOF SYSTEMS

Bu sertifika ile yukarıda adı geçen kuruluşun Bilgi Güvenliği Yönetim Sistemi gerekliliklerini karşıladığı tasdik olunur.

This is to certify that the above mentioned Company meets the requirement of Information Security Management System.

Belge NO / Certification Number	: MTS-13464
İlk Kayıt Tarihi / Date of Initial Reg.	: 3.04.2019
Başım Tarihi / Date of Certificate	: 3.04.2019
Geçerlilik Tarihi / Date of Expiry	: 2.04.2020
Yeni Denetim Tarihi / Date of Recertification	: 2.04.2022
Uygunluk Bildirgesi / SOA	: UB 12.10.2017 Rev 01

SQR
INTERNATIONAL
CERTIFICATION

ias
ACCREDITED
Management
Systems
Certification Body
MSCB-136

SIGMACERT
ULUSLARARASI BELGELENDİRME
EĞİTİM VE TEST HİZMETLERİ LTD. ŞTİ.

Ostim Mahallesi 2239/1 Sokak No: 7/3
Tel: +90 312 385 08 85 Yenimahalle / ANKARA
belgeleme@sigmacert.com.tr • www.sigmacert.com.tr

SQR
INTERNATIONAL
CERTIFICATION

Certification of Registration

ÖZ EKİN PVC KOLLEKTÖR SANAYİ VE TİCARET LİMİTED ŞİRKETİ

ADDRESS: 2. ORGANİZE SANAYİ BÖLGESİ HAVAALANI YOLU 4. KM
YEŞİLYURT / MALATYA TÜRKİYE
SITE 1: KAVAKLIBAĞ MAHALLESİ HALEP CADDESİ LEBLEBİCİ
SOKAK NO: 2 MALATYA / TÜRKİYE
SITE 2: MALATYA TEKNOKENT TTK ELAZIĞ YOLU İNÖNÜ
ÜNİVERSİTESİ KARŞISI MALATYA / TÜRKİYE

QACS INTERNATIONAL

Certify that the occupational health & safety management system of the above organisation has been audited and found to be in accordance with the requirements of standard detailed below.

OHSAS 18001:2007

PVC KAPI VE PENCERE SİSTEMLERİ, ALÜMİNYUM KAPI, PENCERE, CEPHE, KOMPOZİT VE KORKULUK, FOTOSEL, PANJUR, KEPENK, CAM BALKON SİSTEMLERİ, PERGOLA, TENTE, HAREKETLİ KÜPEŞTE (GIYOTİN SİSTEMİ) VE MOTORLU AÇILIR ÇATI SİSTEMLERİ ÜRETİMİ, SATIŞI VE MONTAJI PRODUCTION, SALES AND INSTALLATION OF PVC DOOR AND WINDOW SYSTEMS, ALUMINUM DOOR, WINDOW, FRONTAGE, COMPOSITE AND RAILING, PHOTOCELL, SHUTTER, BALCONY GLAZING SYSTEMS, PERGOLA AND SHADING SYSTEMS, AWNING AND TENTS, MOVING HANDRAIL (GUILLOTINE SYSTEMS) AND MOTORIZED RETRACTABLE ROOF SYSTEMS

Certificate No:- QAIS-O-TUR-OE-02.19.002

This certification was conducted in accordance with the qacs international f.z.c auditing and Certification procedures and it is remain valid subject to annual surveillance audits.

Certificate Issue Date: 3rd April 2019
Date of Initial Registration: 3rd April 2019
Certificate Validity:- 2 Years

1st Surveillance Date: 2nd April 2020
Expiry Date:- 11th March 2021

Note: Certificate shall be valid after surveillance, only if continuation letter by QACS is present.

To Check the certificate validity please
Refer Web:- (www.qacsworld.com).



Authorised Signatory



QACS International

Email Id: info@qacertification.asia, operationqacs@gmail.com, officeqacs@gmail.com
www.qacsworld.com, www.qacsintl.ae

ekin PROFİL®
ALÜMİNYUM SİSTEMLER

AF-50 CEPHE SİSTEMİ

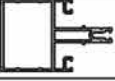












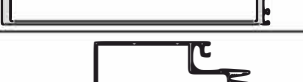

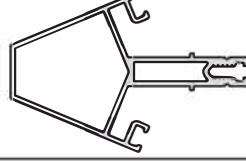




AF-50 Cephe Sistemi













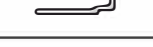







(AF-50 Facade System)

ekin PROFİL®











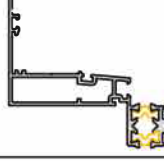
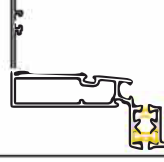
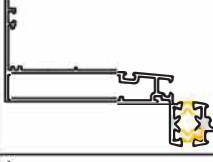
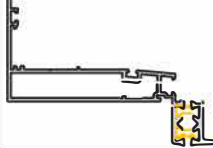
ALÜMİNYUM SİSTEMLER





















	KOD-CODE	TEORİK AĞIRLIK THEORETICAL WEIGHT Kg/m	AÇIKLAMA Explanation	Jxx cm 4	Jyy cm 4
	AF-5011-16	1,548	50lik D (V)	30,22	14,73
	AF-5011-20	1,700		31,88	16,50
	AF-5012-16	1,821	80lik D (V)	76,65	20,44
	AF-5012-20	2,038		82,26	23,50
	AF-5013-16	2,039	100lük D (V)	128,60	24,57
	AF-5013-20	2,294		138,62	28,39
	AF-5014-17	2,340	120lik D (V)	210,85	29,53
	AF-5014-20	2,610		226,05	33,64
	AF-5015-17	2,631	140lik D (V)	311,82	34,62
	AF-5015-20	2,904		333,03	38,78
	AF-5016-17	3,835	150lik D (V)	542,15	44,03
	AF-5016-20	4,109		567,09	48,22
	AF-5017-24	4,505	180lik D (V)	849,14	57,70
	AF-5018-24	4,593		872,24	58,21
	AF-5031-16	1,345	56lik Y (H)	30,36	14,47
	AF-5031-20	1,519		33,18	16,70
	AF-5032-16	1,604	86lik Y (H)	74,54	20,09
	AF-5032-20	1,844		82,93	23,62
	AF-5033-16	1,784	106lik Y (H)	118,51	23,97
	AF-5033-20	2,063		132,65	28,26
	AF-5034-17	2,168	126lik Y (H)	204,24	29,91
	AF-5034-20	2,378		215,89	33,49
	AF-5035-17	2,435	146lik Y (H)	301,32	34,48
	AF-5035-20	2,674		318,67	38,62
	AF-5036-18	2,854	156lik Y (H)	403,10	39,62
	AF-5036-20	3,032		418,56	42,55
	AF-5037-22	3,905	186lik Y (H)	757,60	55,51
	AF-5038-22	3,935		766,53	55,52
	AF-5018-16	2,513	90° D (V)	128,86	56,98
	AF-5018-20	2,903		141,70	66,81
	AF-5019-16	1,292	45° D (V)	24,48	8,39
	AF-5019-20	1,506		27,89	11,80
	AF-5041-18	0,360	Baskı Kapak (Pressed Cap)		
	AF-5042-18	0,437	Baskı Kapak (Pressed Cap)		







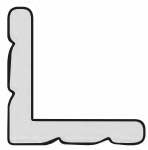

(D) Düşey - (V) Vertical
(Y) Yatay - (H) Horizontal

	KOD-CODE	TEORİK AĞIRLIK THEORETICAL WEIGHT Kg/m	AÇIKLAMA	EXPLANATION
	AF-5043-14	0,306	15'lik Yatay Kapak	15' Horizontal Cap
	AF-5044-14	0,335	20'lik Kapak	20' Cap
	AF-5045-14	0,368	25'lik Kapak	25' Cap
	AF-5046-18	1,199	100'lük Badem Kapak	100' Almond Cap
	AF-5047-16	1,372	100'lük Kapak	100' Cap
	AF-5048-18	0,359	Baskı Kapak	Pressed Cap
	AF-5049-18	0,254	Gizli Kapak	Hidden Cap
	AF-5050-18	0,044	Gizli Kapak Üst	Hidden Top Cap
	AF-5051-18	0,302	Baskı Kapak	Pressed Cap
	AF-5052-18	0,286	İç Dönüş Kapak	Inner Return Cap
	AF-5053-18	0,207	İç Dönüş Fıtlı Yuvası	Inner Return Wick Slot
	AF-5054-16	0,152	Cam Destek	Glass Backing
	AF-5055-16	0,300	Cam Destek	Glass Backing
	AF-5056-16	0,478	Takviyeli Cam Destek	Reinforced Glass Backing
	AF-5061-15	0,880	24mm Kaset Mat Eloksal	24mm Cassette Matte Anodized
	AF-5062-15	0,852	24mm Kaset Bonding Çıtalı	24mm Cassette Bonding Lath
	AF-5063-15	0,126	Bonding Çıtası Mat Siyah Eloksal	Bonding Lath Matte Black Anodized
	AF-5064-14	0,229	28mm Bonding Çıtası Mat Siyah Eloksal	28mm Bonding Strip Matte Black Anodized
	AF-5065-15	1,135	Paralel Kaset Mat Eloksal	Parallel Cassette Matte Anodized
	AF-5066-15	1,107	Paralel Kaset Bonding Çıtalı	Parallel Cassette Bonding Lath

AF-50 Cephe Sistemi (AF-50 Facade System)

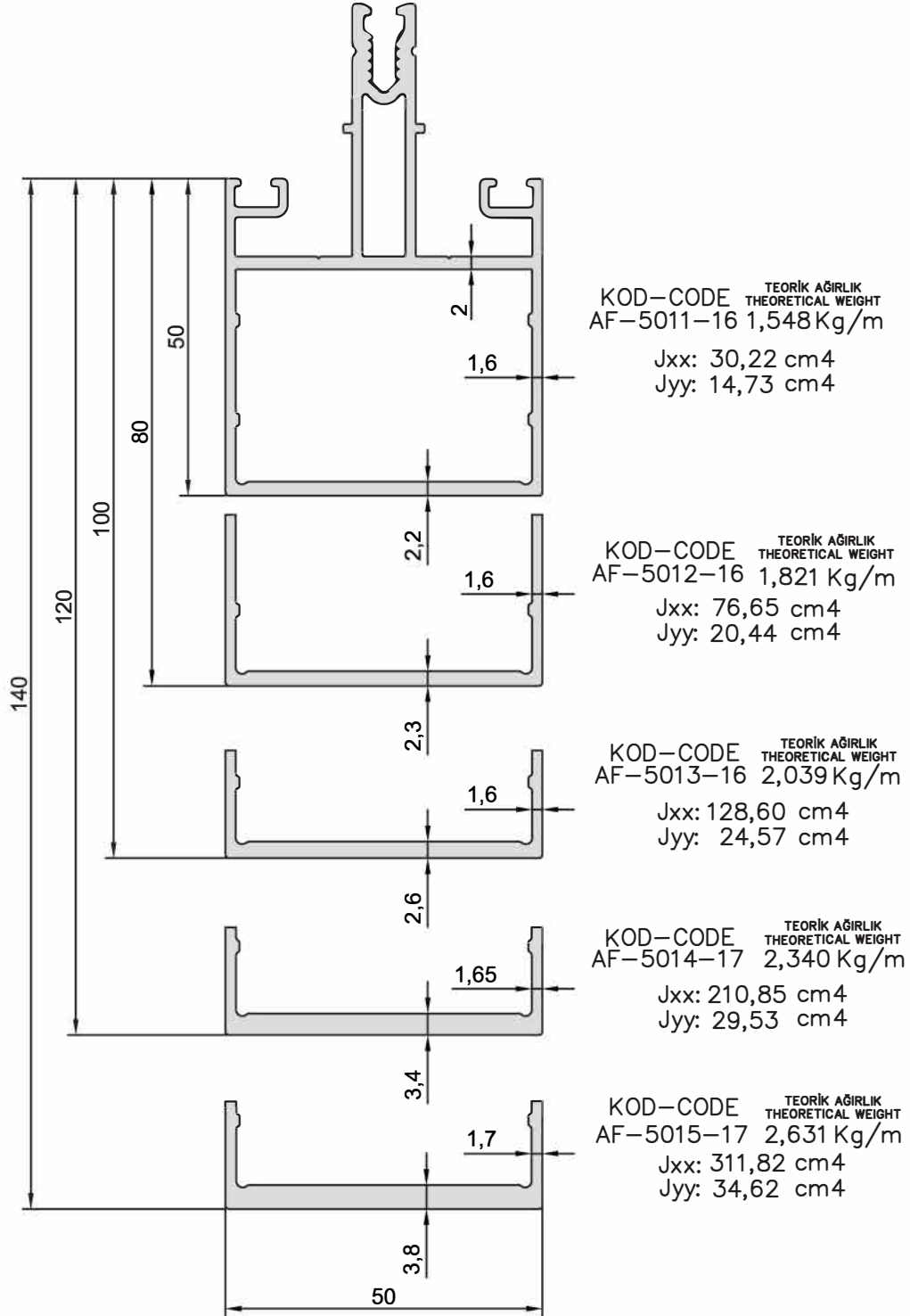
	KOD-CODE	TEORİK AĞIRLIK THEORETICAL WEIGHT Kg/m	AÇIKLAMA	EXPLANATION
	AF-5067-15	0,880	28mm Kaset Mat Eloksal	28mm Cassette Matte Anodized
	AF-5068-15	0,852	28mm Kaset Bonding Çıtalı	28mm Cassette Bonding Lath
	AF-5069-15	0,575	6mm Kaset Mat Eloksal	6mm Cassette Matte Anodized
	AF-5070-15	0,561	Kompozit Kaset	Composite Cassette
	AF-5071-15	0,867	Kompozit Kaset	Composite Cassette
	AF-5072-15	1,062	Yalıtımlı Kaset Bonding Çıtalı	Insulated Cassette Bonding Lath
	AF-5073-15	0,647	6mm Kaset Mat Eloksal	6mm Cassette Matte Anodized
	AF-5074-15	0,735	Duvar Bitim	Wall Ending
	AF-5075-15	0,786	Pencere Adaptör	Window Adapter
	AF-5076-16	0,386	Klipsli Tek Cam Kaseti Mat	Clip-on Single Glass Cassette Matte
	AF-5077-15	1,275	Kapaklı Cephe Açılır	Covered Facade Openable
	AF-5078-15	1,156	Yarı Kapaklı Silikon Cephe Açılır	Half Covered Silicone Facade Openable
	AF-5079-15	1,551	Kapaklı Cephe Paralel Açılır	Covered Facade Parallel Opening
	AF-5080-15	1,423	Yarı Kapaklı Silikon Cephe Paralel Açılır	Half Covered Silicone Facade Parallel Opening

	KOD-CODE	TEORİK AĞIRLIK THEORETICAL WEIGHT Kg/m	AÇIKLAMA	EXPLANATION
	AF-5081-15	0,207	Klipsli Bonding Çıtası Mat Siyah Eloksal	Clip-on Bonding Lath Matte Black Anodized
	AF-5082-15	0,287	Klipsli Bondingü Çıtası Mat Siyah Eloksal	Clip-on Bonding Lath Matte Black Anodized
	AF-5083-15	0,118	32mm Cam Yükseltme	32mm Glass Raiser
	AF-5084-15	0,103	30mm Cam Yükseltme	30mm Glass Raiser
	AF-5085-15	0,097	28mm Cam Yükseltme	28mm Glass Raiser
	AF-5086-15	0,097	26mm Cam Yükseltme	26mm Glass Raiser
	AF-5087-15	0,149	8mm Gaga Yükseltme	8mm Beak Riser
	AF-5088-15	0,269	20,5mm Gaga Yükseltme	20,5mm Beak Riser
	AF-5089-15	0,119	Tij Profil	Tige Profile
	AF-5091-15	0,150	12mm Fitol Yükseltme	12mm Wick Riser
	AF-5092-15	0,189	18mm Fitol Yükseltme	18mm Wick Riser
	AF-5093-14	0,102	Cam Destek	Glass Backing
	AF-5094-14	0,137	Cam Destek	Glass Backing
	AF-5095-16	0,209	Takviyeli Cam Destek	Reinforced Glass Backing
	AF-5096-15	0,169	Yarı Kapaklı Destek	Half Covered Backing
	AF-5097-12	0,206		
	AF-5098-12	0,232	22mm Fitol Yükseltme	22mm Wick Riser
	KT-5145-25	0,371	Yatay Bağlantı	Horizontal Connection
	KT-5146-25	0,973	U Bağlantı	U Connection
	KT-5147-25	1,165	Açılı U Bağlantı	Angled U Connection

	KOD-CODE	TEORİK AĞIRLIK THEORETICAL WEIGHT Kg/m	AÇIKLAMA	EXPLANATION
	KT-5120-00	0,354	Kaset Hizalama	Cassette Aligner
	KT-5121-00	0,424	Kaset Hizalama	Cassette Aligner
	KT-5118-00	0,380	Kaset Bağlantı	Cassette Connector
	KT-5119-00	0,390	Açılı Kaset Bağlantı	Angled Cassette Connector
	KT-5126-00	0,331	Klips Bağlantı	Clips Connector
	KT-5133-00	3,467	Dilatasyon Profili	Dilatation Profile
	KT-2105-00	2,938	10 mm Köşe Takoğu	10 mm Corner Wedge
	KT-2155-00	2,328	16 mm Köşe Takoğu	16 mm Corner Wedge

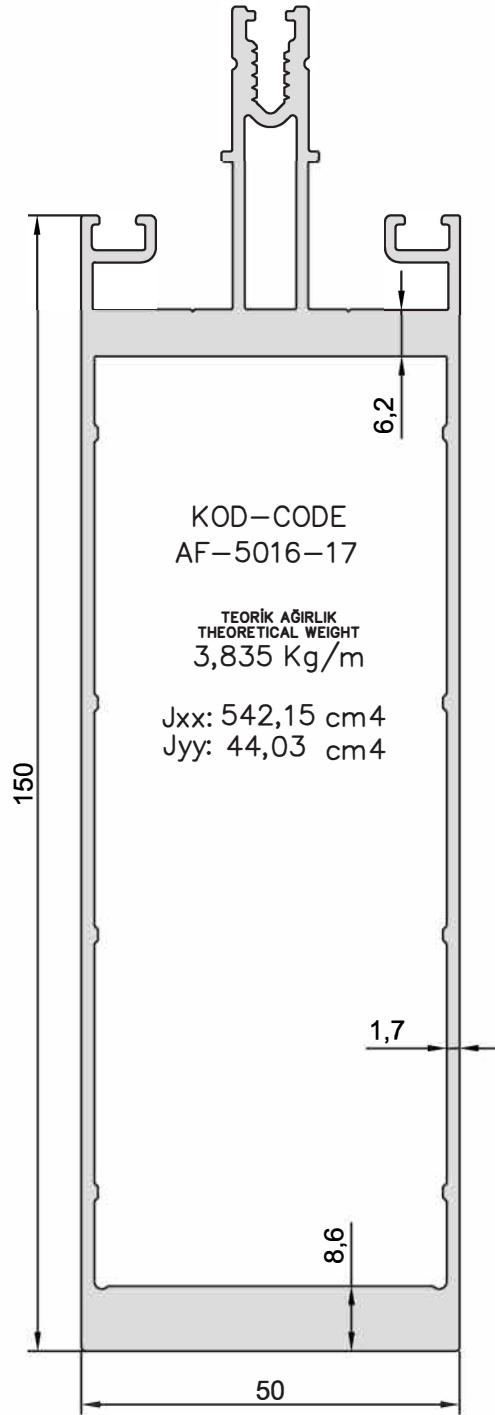
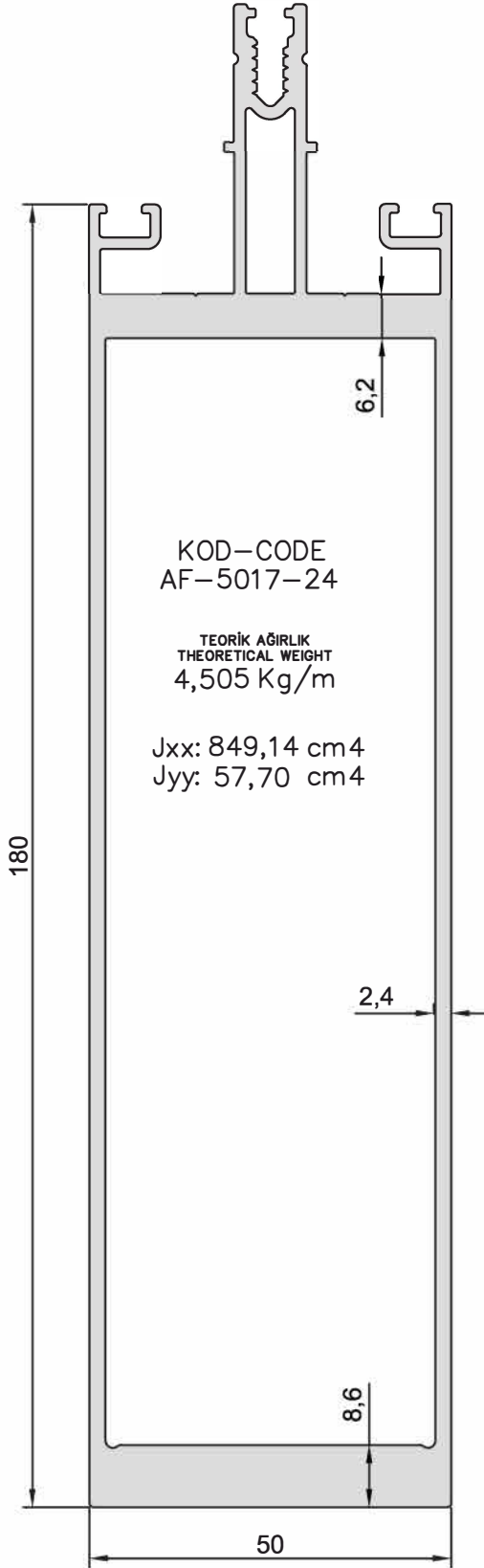
1.GRUP DÜŞEY GRİYAJ PROFİLLERİ

1st GROUP VERTICAL GRILAGE PROFILES



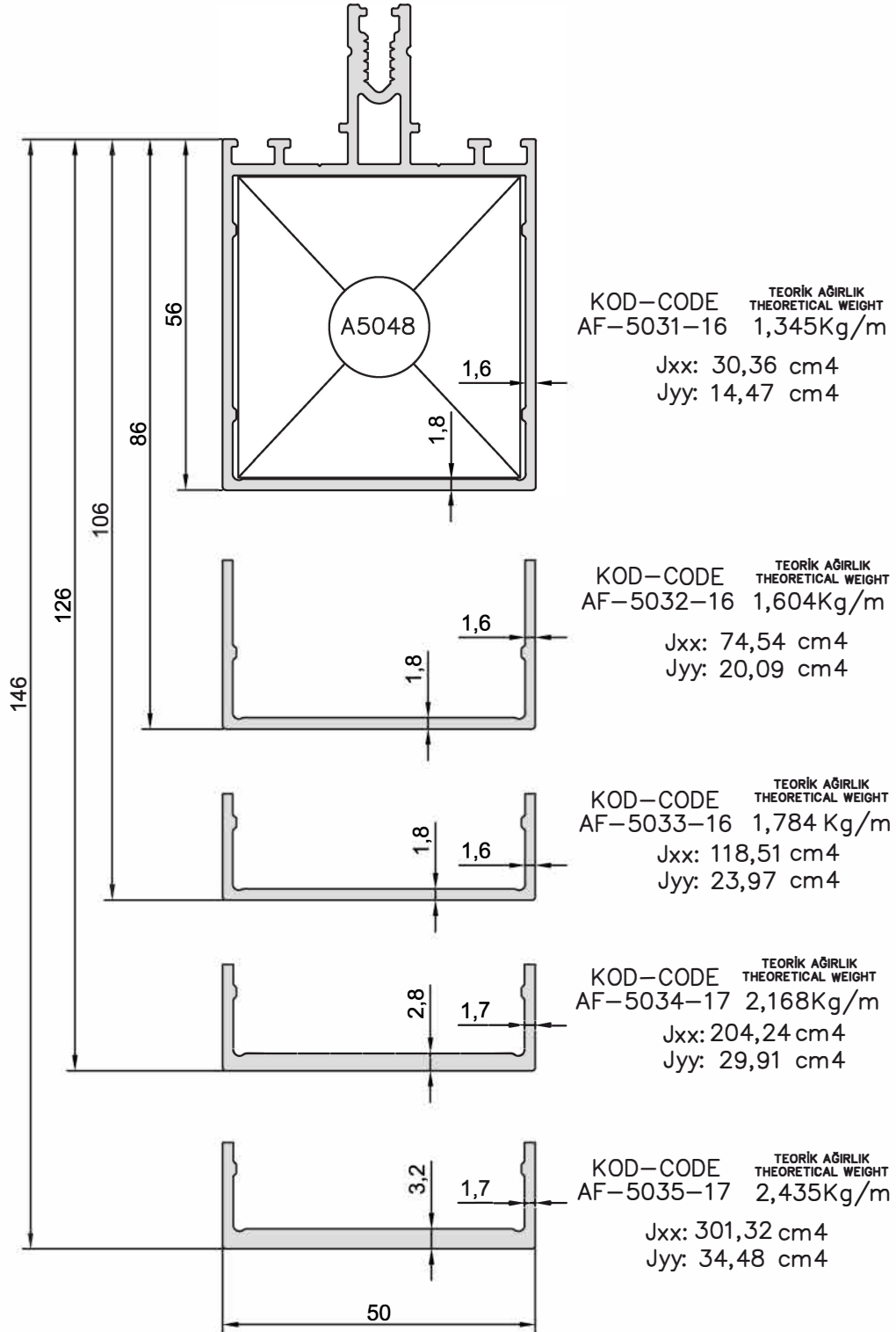
AF-50 Cephe Sistemi (AF-50 Facade System)

ekin PROFİL®
ALÜMİNYUM SİSTEMLER



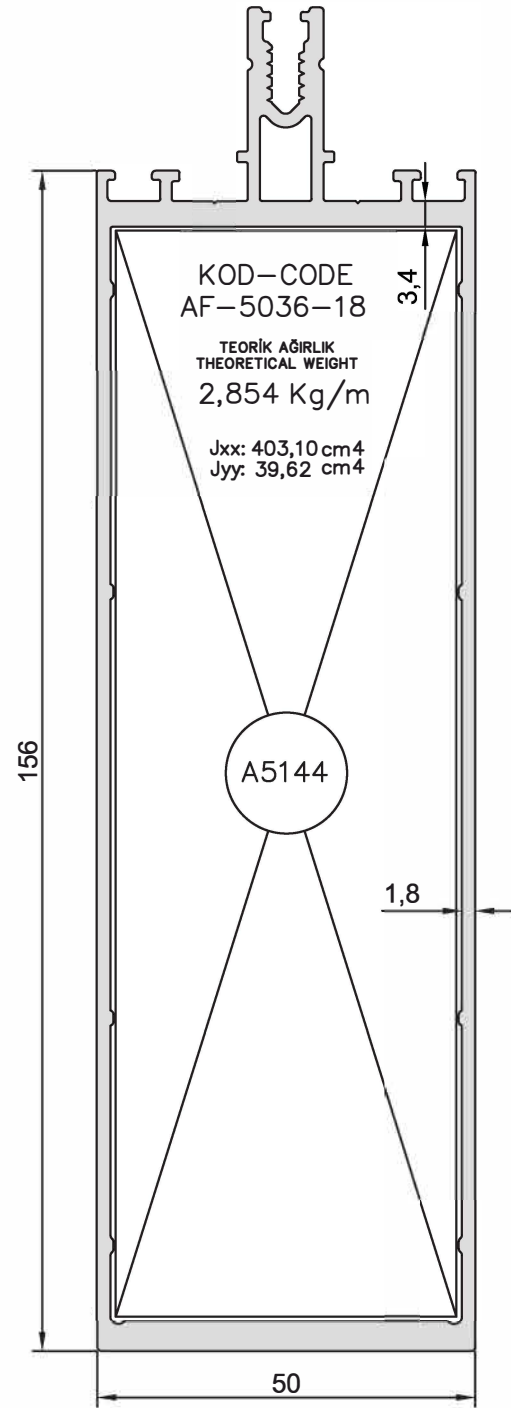
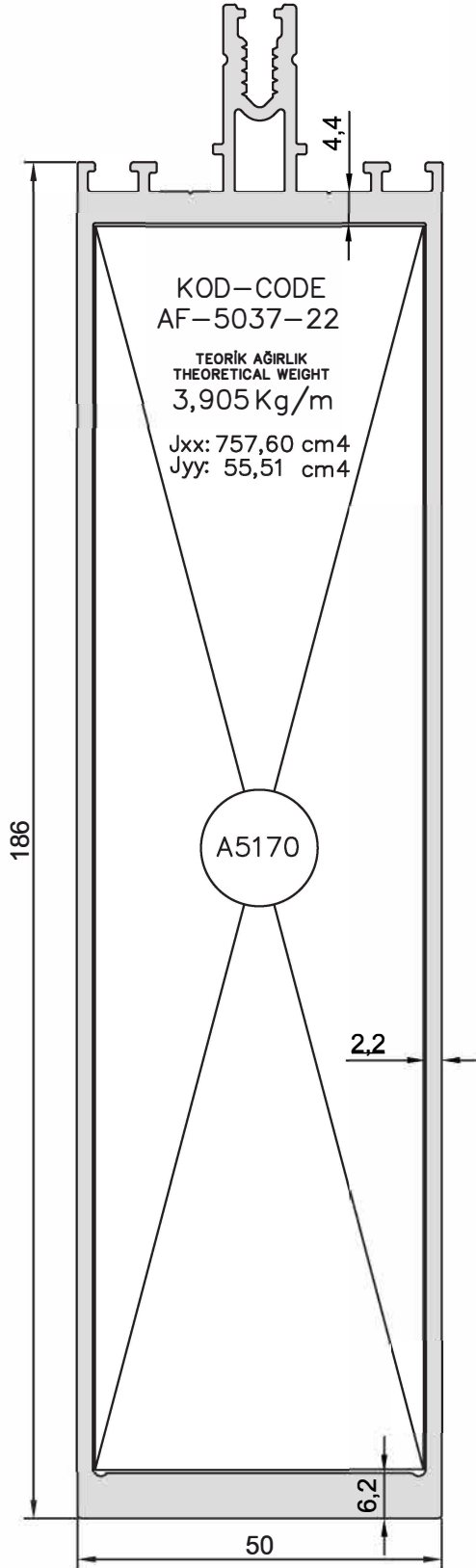
1.GRUP YATAY GRİYAJ PROFİLLERİ

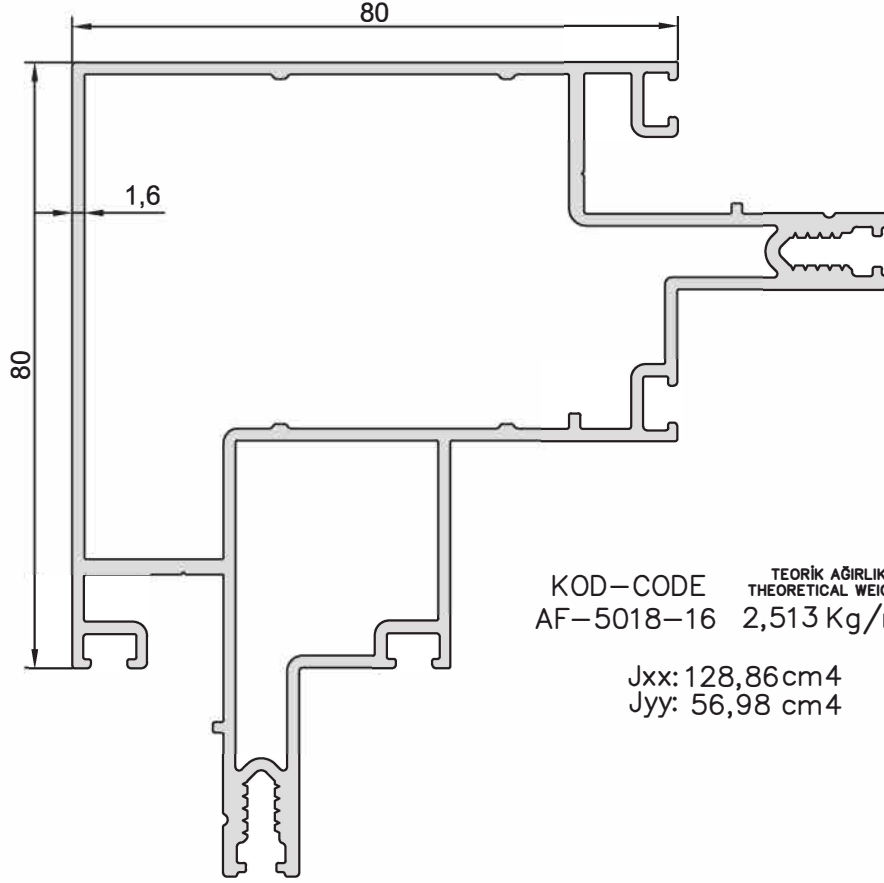
1st GROUP HORIZONTAL GRILAGE PROFILES



AF-50 Cephe Sistemi (AF-50 Facade System)

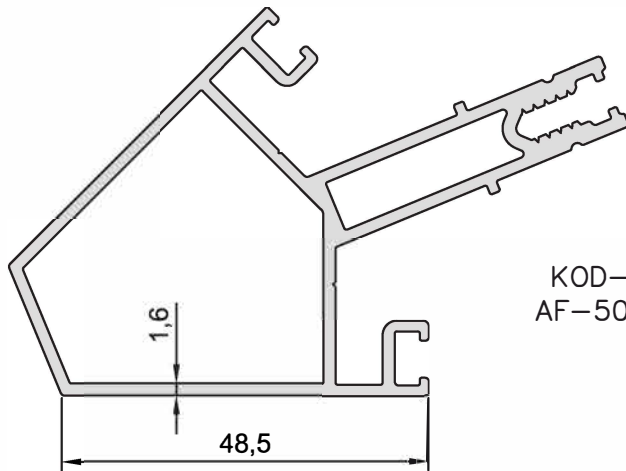
ekin PROFİL®
ALÜMİNYUM SİSTEMLER





KOD-CODE TEORİK AĞIRLIK
AF-5018-16 THEORETICAL WEIGHT
2,513 Kg/m

Jxx: 128,86 cm⁴
Jyy: 56,98 cm⁴

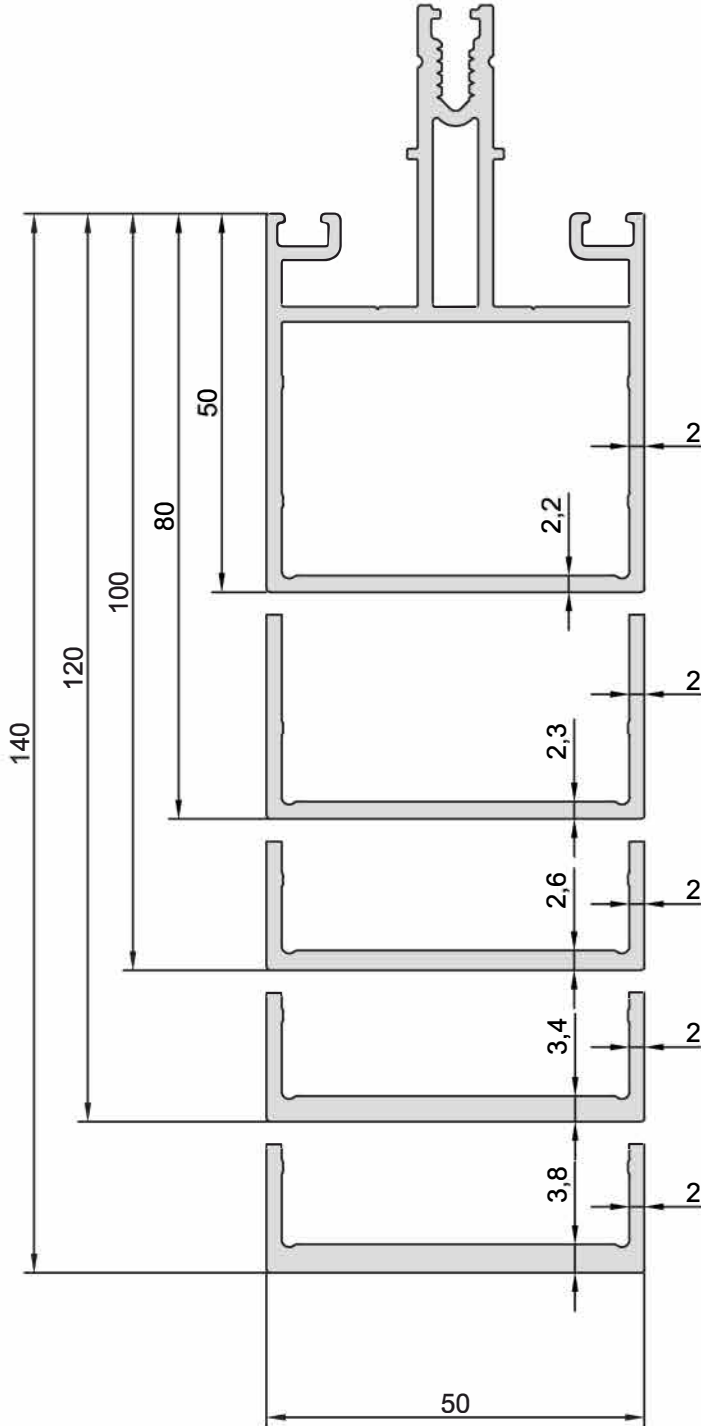


KOD-CODE TEORİK AĞIRLIK
AF-5019-16 THEORETICAL WEIGHT
1,292 Kg/m

Jxx: 24,48 cm⁴
Jyy: 8,39 cm⁴

2.GRUP DÜŞEY GRİYAJ PROFİLLERİ

2nd GROUP VERTICAL GRILAGE PROFILES



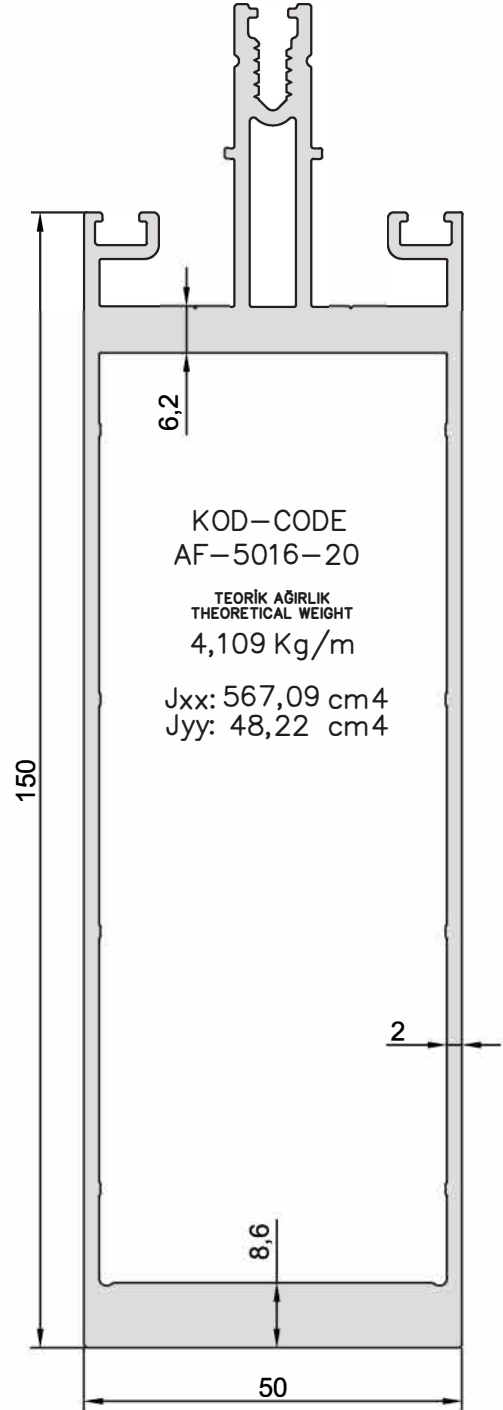
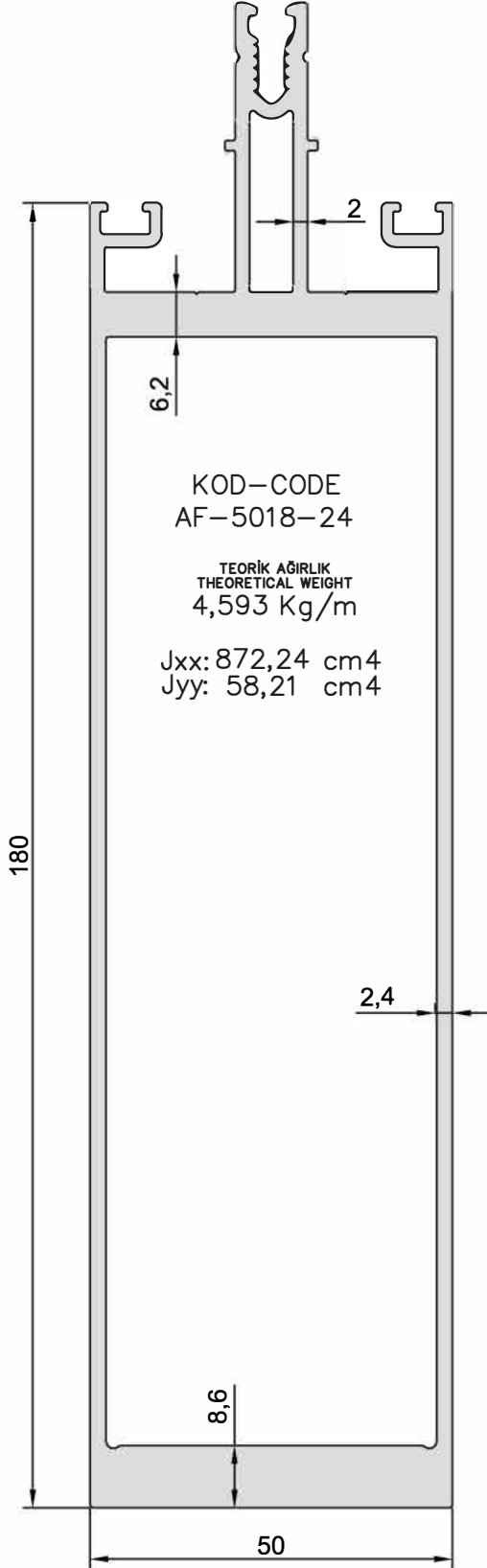
KOD-CODE TEORİK AĞIRLIK
AF-5011-20 THEORETICAL WEIGHT
1,700 Kg/m
Jxx: 31,88 cm⁴
Jyy: 16,50 cm⁴

KOD-CODE TEORİK AĞIRLIK
AF-5012-20 THEORETICAL WEIGHT
2,038 Kg/m
Jxx: 82,26 cm⁴
Jyy: 23,50 cm⁴

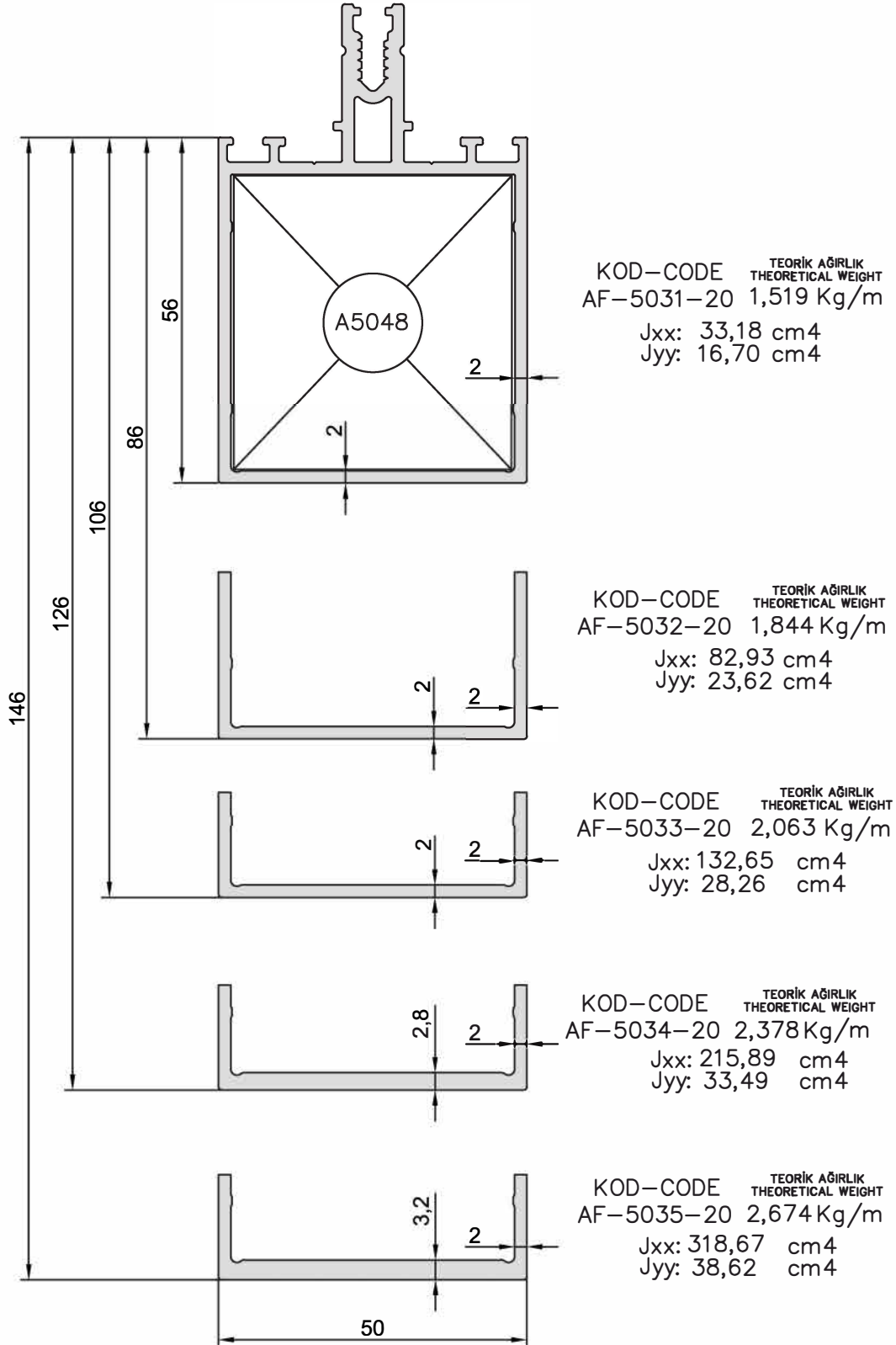
KOD-CODE TEORİK AĞIRLIK
AF-5013-20 THEORETICAL WEIGHT
2,294 Kg/m
Jxx: 138,62 cm⁴
Jyy: 28,39 cm⁴

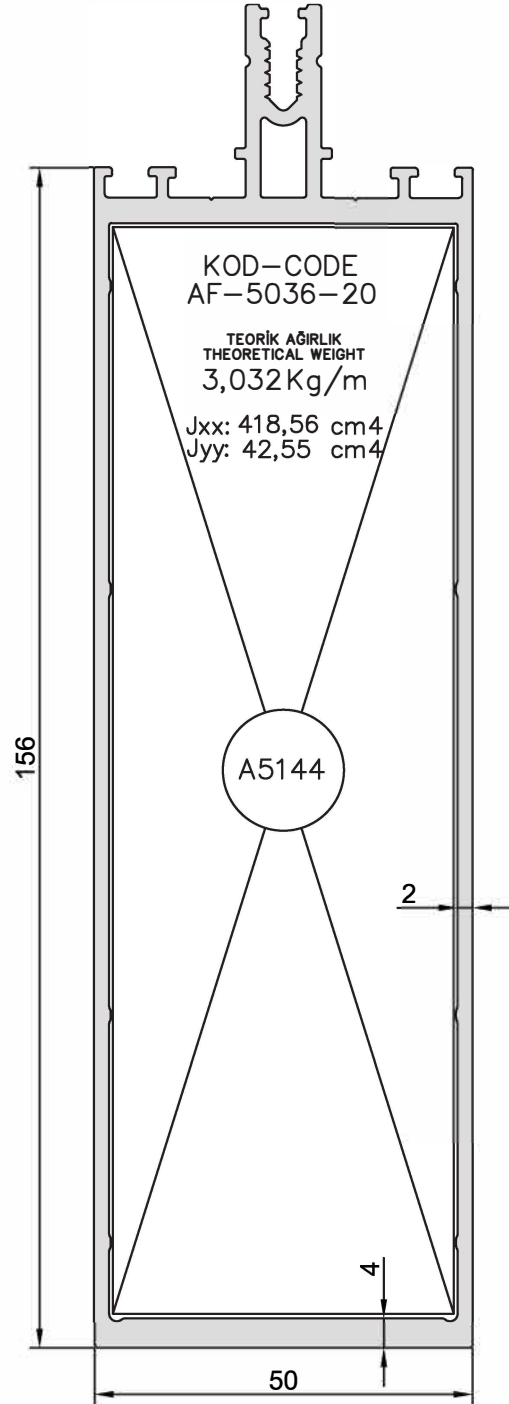
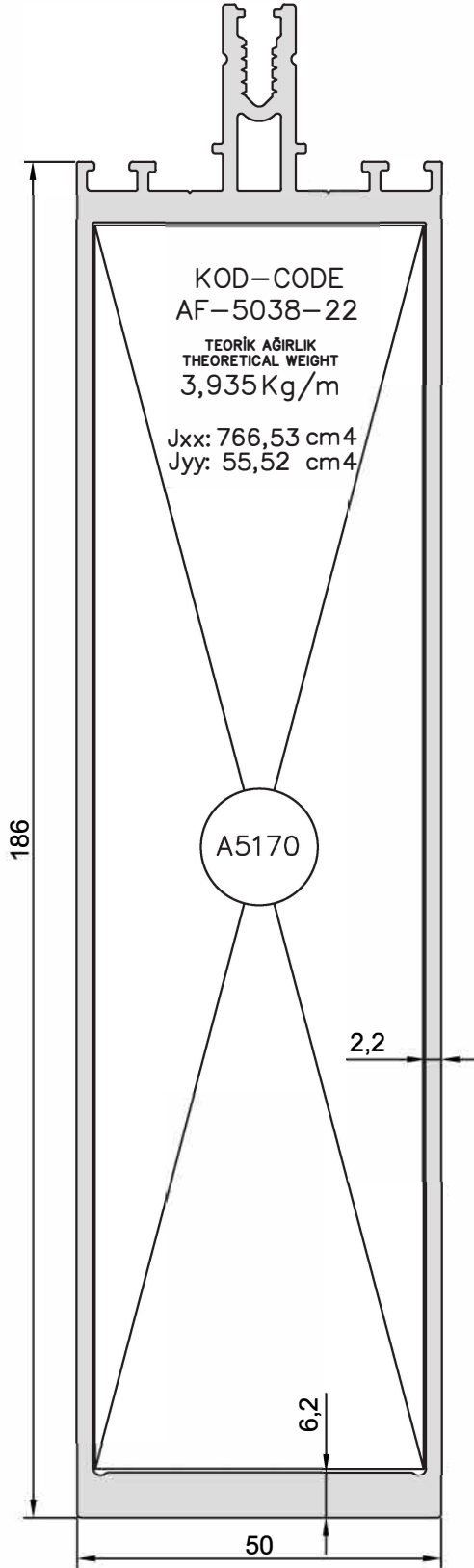
KOD-CODE TEORİK AĞIRLIK
AF-5014-20 THEORETICAL WEIGHT
2,610 Kg/m
Jxx: 226,05 cm⁴
Jyy: 33,64 cm⁴

KOD-CODE TEORİK AĞIRLIK
AF-5015-20 THEORETICAL WEIGHT
2,904 Kg/m
Jxx: 333,03 cm⁴
Jyy: 38,78 cm⁴



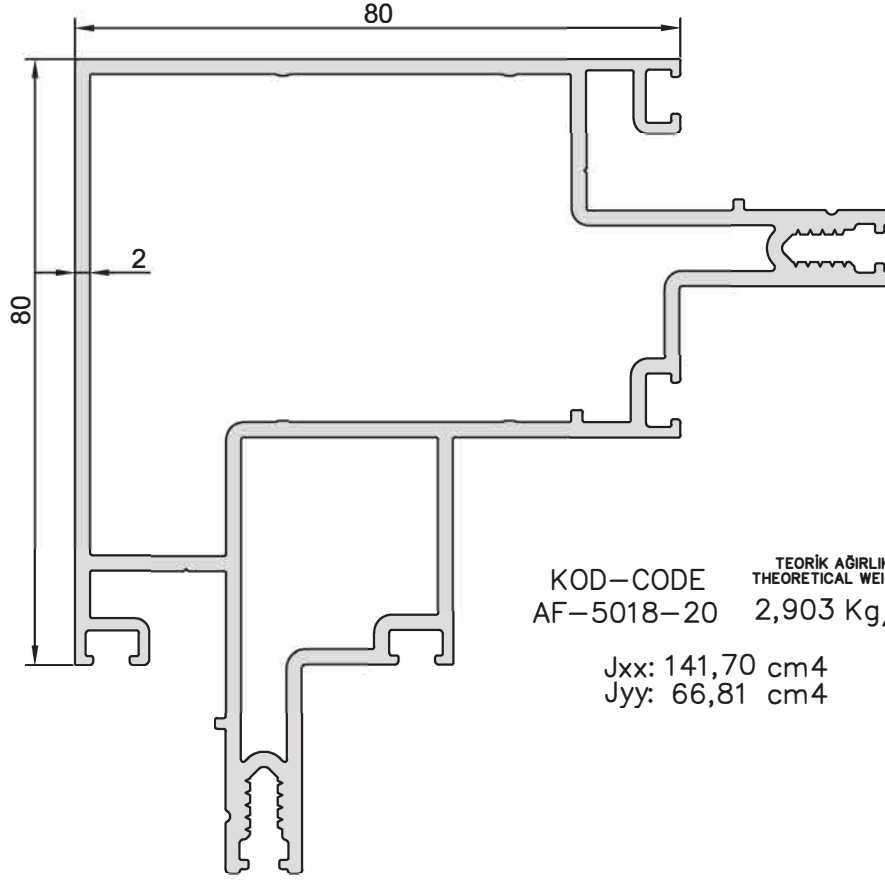
2.GRUP YATAY GRİYAJ PROFİLLERİ 2nd GROUP HORIZONTAL GRILAGE PROFILES





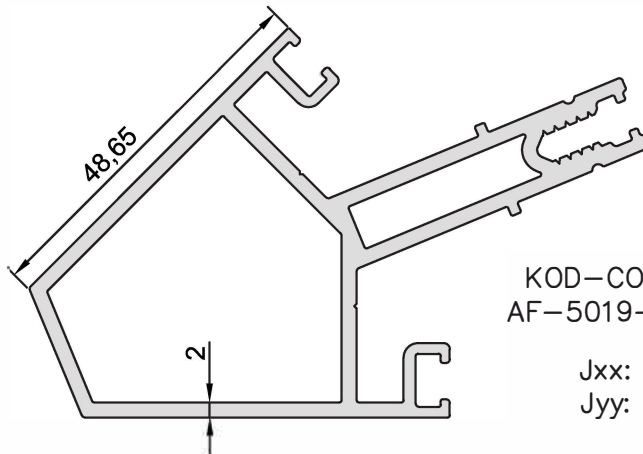
AF-50 Cephe Sistemi (AF-50 Facade System)

ekin PROFİL®
ALÜMİNYUM SİSTEMLER



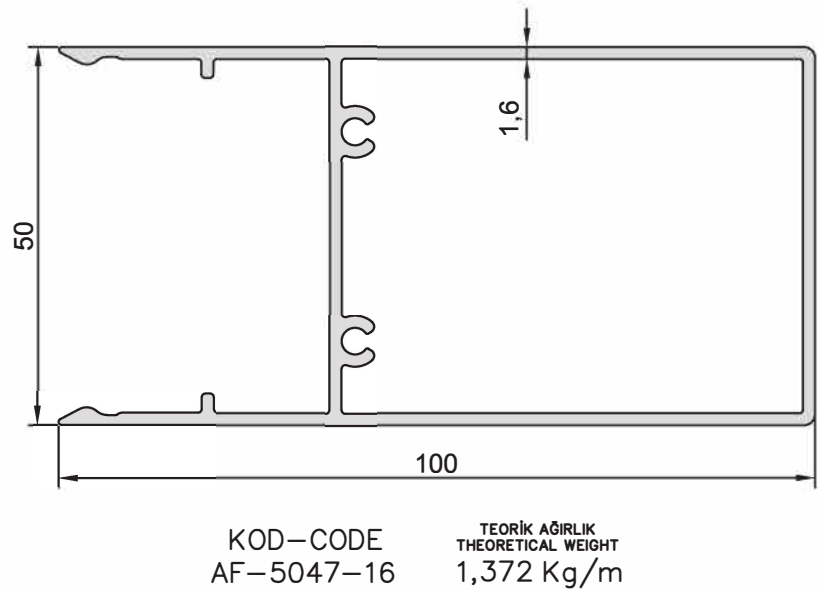
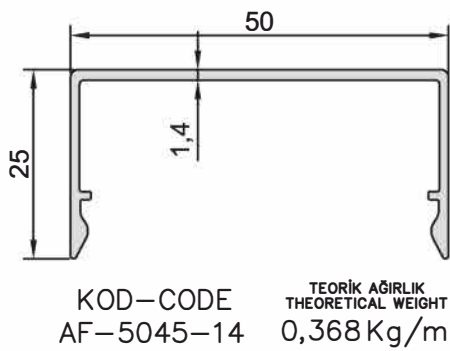
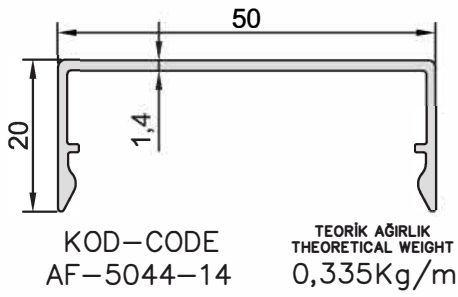
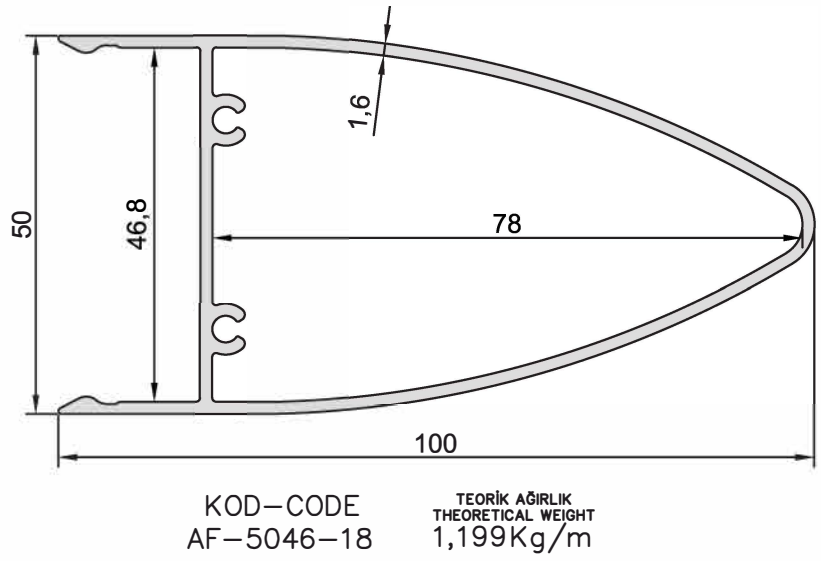
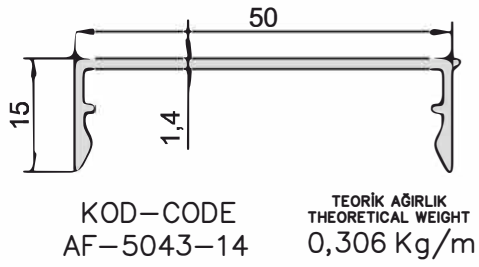
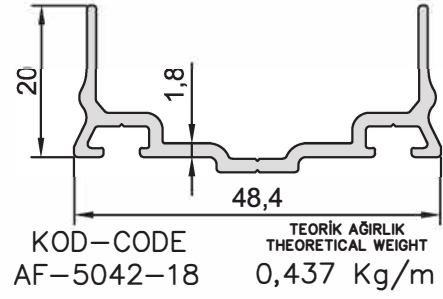
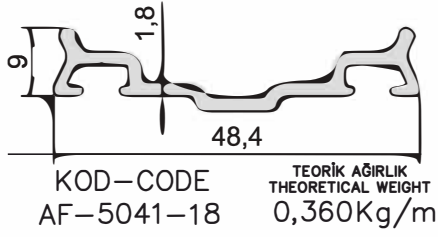
KOD-CODE TEORİK AĞIRLIK
AF-5018-20 THEORETICAL WEIGHT
2,903 Kg/m

Jxx: 141,70 cm⁴
Jyy: 66,81 cm⁴



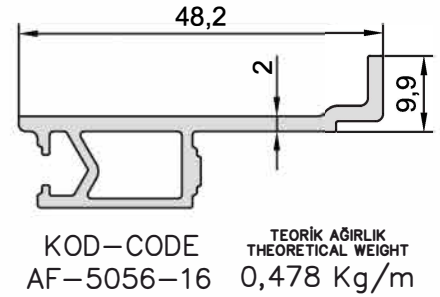
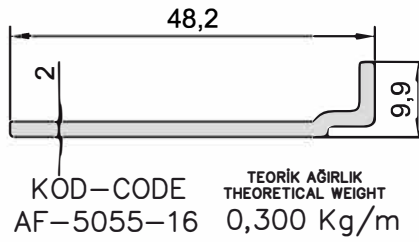
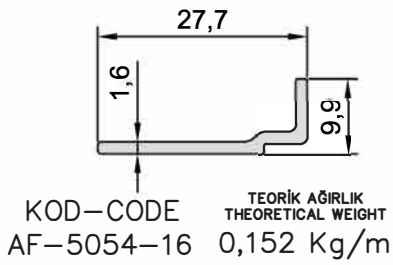
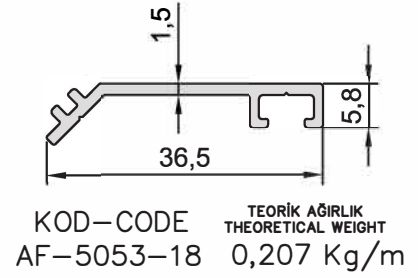
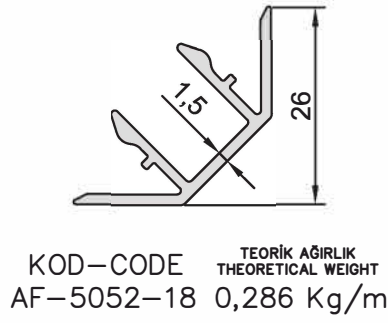
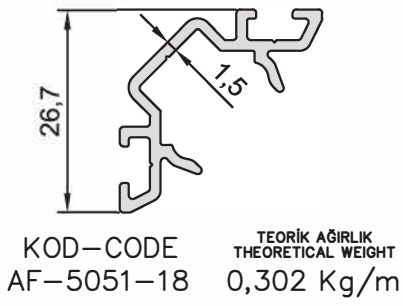
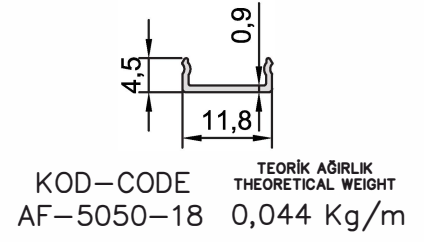
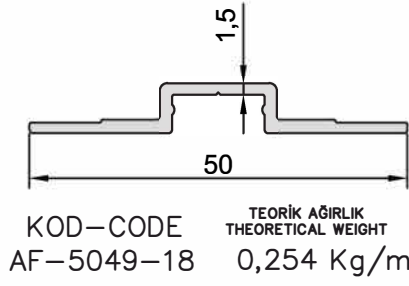
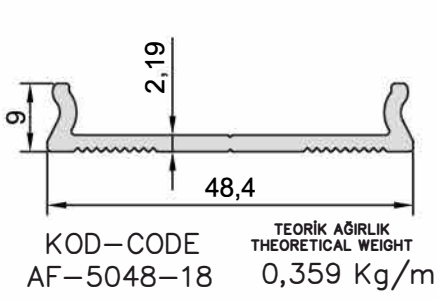
KOD-CODE TEORİK AĞIRLIK
AF-5019-20 THEORETICAL WEIGHT
1,506 Kg/m

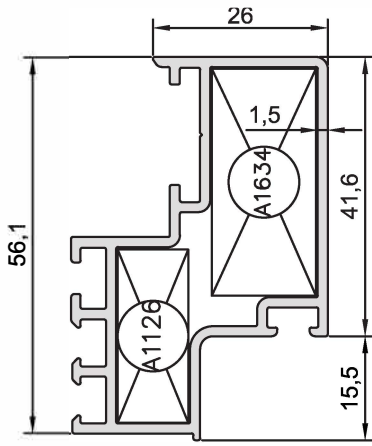
Jxx: 27,89 cm⁴
Jyy: 11,80 cm⁴



AF-50 Cephe Sistemi (AF-50 Facade System)

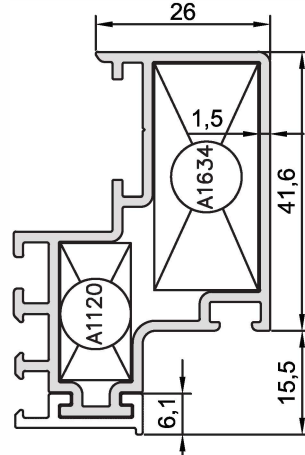
ekin PROFİL®
ALÜMİNYUM SİSTEMLER





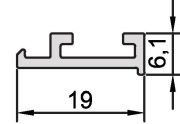
*Mat Eloksal

KOD-CODE TEORİK AĞIRLIK
AF-5061-15 0,880 Kg/m



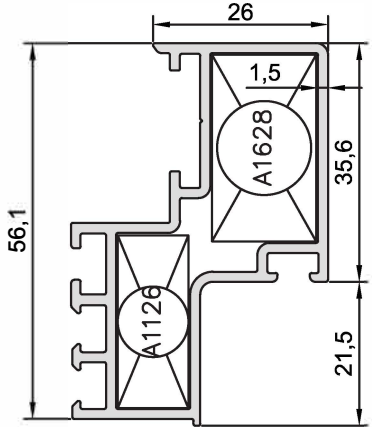
KOD-CODE TEORİK AĞIRLIK
AF-5062-15 0,852 Kg/m

*Mat Siyah Eloksal

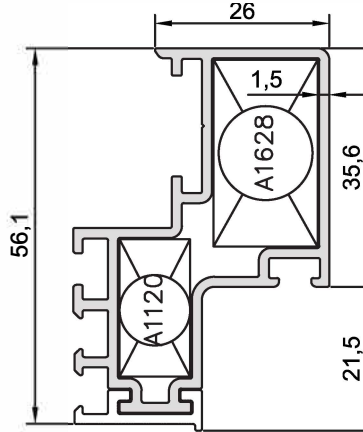


KOD-CODE
AF-5063-15

TEORİK AĞIRLIK
THEORETICAL WEIGHT
0,126 Kg/m

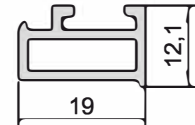


KOD-CODE TEORİK AĞIRLIK
AF-5067-15 0,880 Kg/m



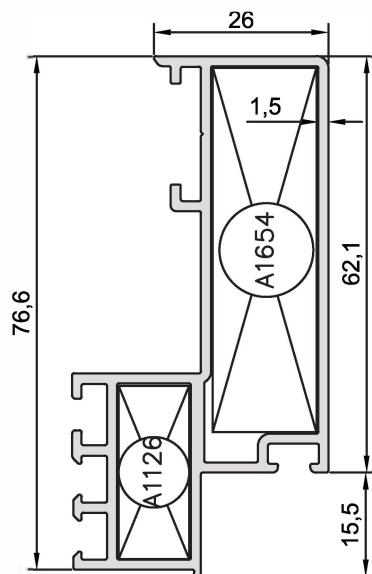
KOD-CODE TEORİK AĞIRLIK
AF-5068-15 0,852 Kg/m

*Mat Siyah Eloksal

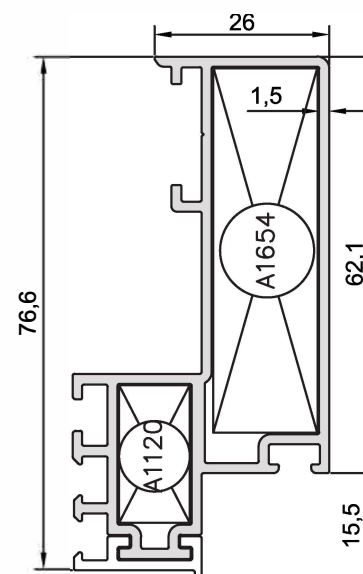


KOD-CODE
AF-5064-14

TEORİK AĞIRLIK
THEORETICAL WEIGHT
0,229 Kg/m



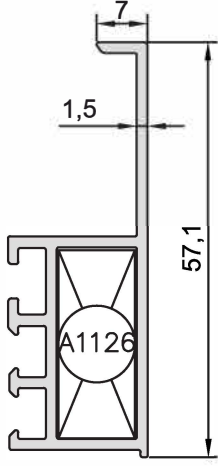
KOD-CODE TEORİK AĞIRLIK
AF-5065-15 1,135 Kg/m



KOD-CODE TEORİK AĞIRLIK
AF-5066-15 1,107 Kg/m

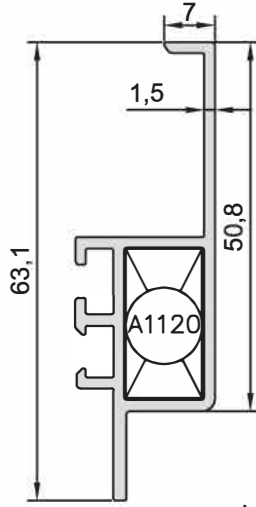
AF-50 Cephe Sistemi (AF-50 Facade System)

ekin PROFİL®
ALÜMİNYUM SİSTEMLER



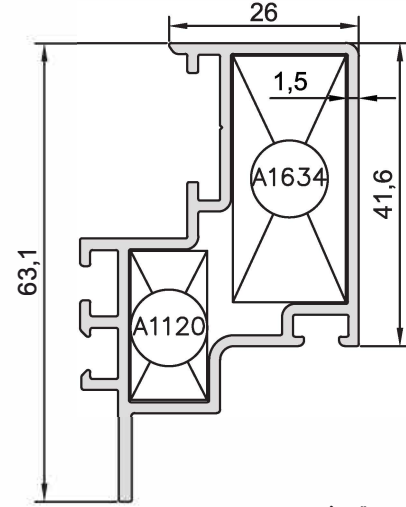
KOD-CODE
AF-5069-15

TEORİK AĞIRLIK
THEORETICAL WEIGHT
0,575 Kg/m



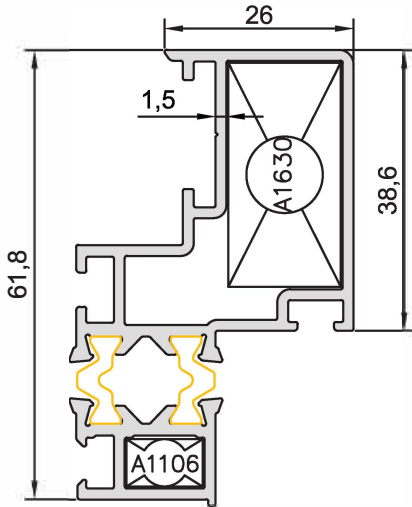
KOD-CODE
AF-5070-15

TEORİK AĞIRLIK
THEORETICAL WEIGHT
0,561 Kg/m



KOD-CODE
AF-5071-15

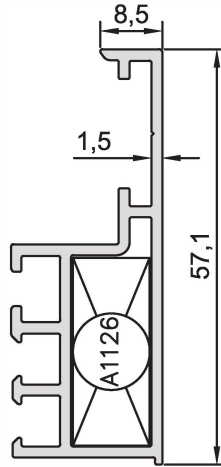
TEORİK AĞIRLIK
THEORETICAL WEIGHT
0,867 Kg/m



*Mat Siyah Elokstal

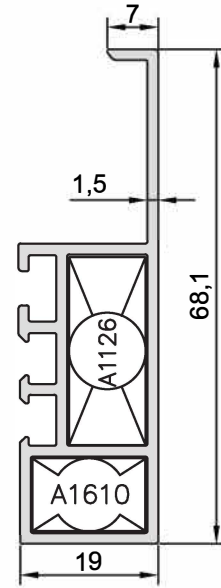
KOD-CODE
AF-5072-15

TEORİK AĞIRLIK
THEORETICAL WEIGHT
1,062 Kg/m



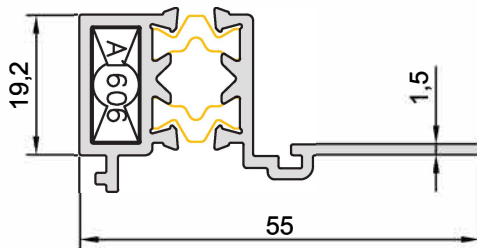
KOD-CODE
AF-5073-15

TEORİK AĞIRLIK
THEORETICAL WEIGHT
0,647 Kg/m



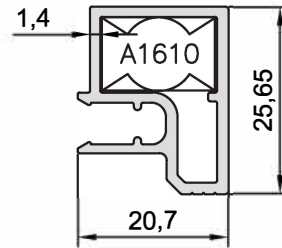
KOD-CODE
AF-5074-15

TEORİK AĞIRLIK
THEORETICAL WEIGHT
0,735 Kg/m



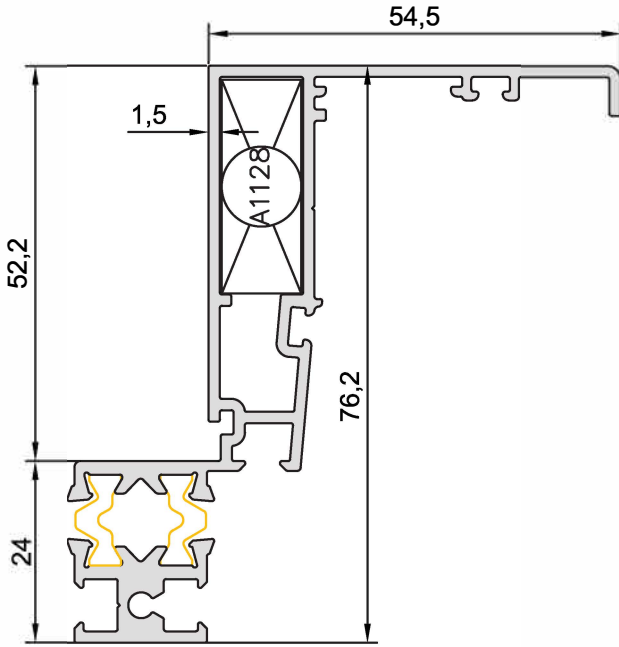
KOD-CODE
AF-5075-15

TEORİK AĞIRLIK
THEORETICAL WEIGHT
0,786 Kg/m



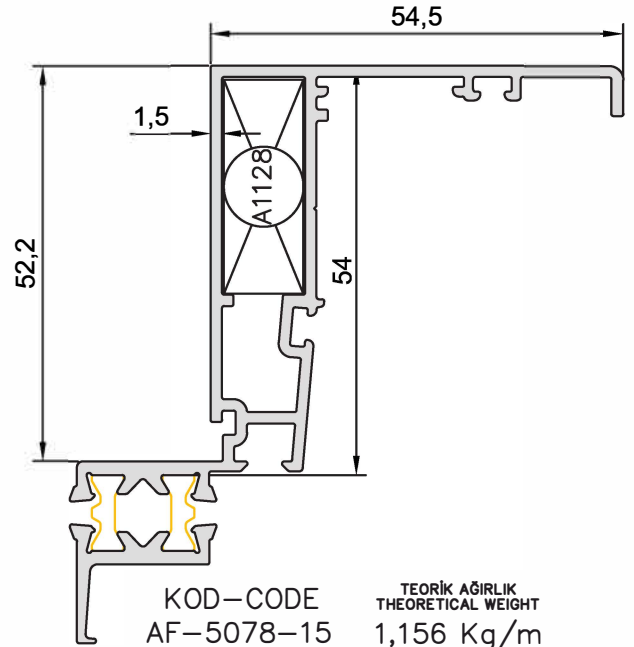
KOD-CODE
AF-5076-16

TEORİK AĞIRLIK
THEORETICAL WEIGHT
0,386 Kg/m



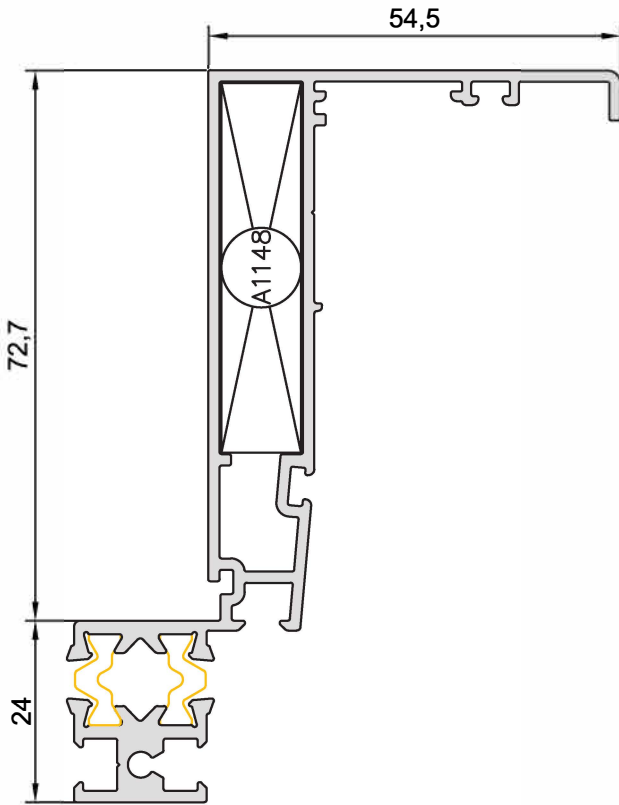
KOD-CODE
AF-5077-15

TEORİK AĞIRLIK
THEORETICAL WEIGHT
1,275 Kg/m



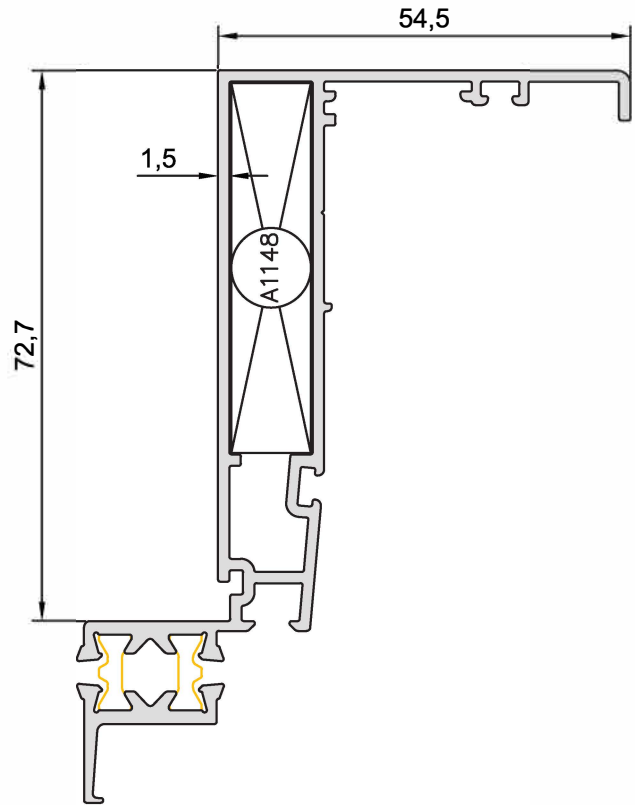
KOD-CODE
AF-5078-15

TEORİK AĞIRLIK
THEORETICAL WEIGHT
1,156 Kg/m



KOD-CODE
AF-5079-15

TEORİK AĞIRLIK
THEORETICAL WEIGHT
1,551 Kg/m



KOD-CODE
AF-5080-15

TEORİK AĞIRLIK
THEORETICAL WEIGHT
1,423 Kg/m

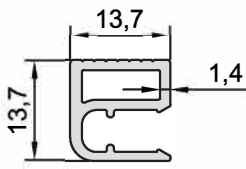
AF-50 Cephe Sistemi

(AF-50 Facade System)

ekin PROFİL®

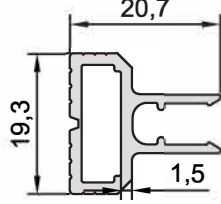
ALÜMİNYUM SİSTEMLER

* Mat Siyah Eloksal
* Matte Black Anodized



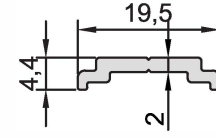
KOD-CODE
AF-5081-15

TEORİK AĞIRLIK
THEORETICAL WEIGHT
0,207 Kg/m



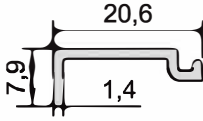
KOD-CODE
AF-5082-15

TEORİK AĞIRLIK
THEORETICAL WEIGHT
0,287 Kg/m



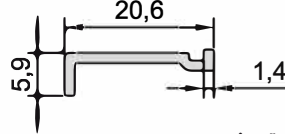
KOD-CODE
AF-5089-15

TEORİK AĞIRLIK
THEORETICAL WEIGHT
0,119 Kg/m



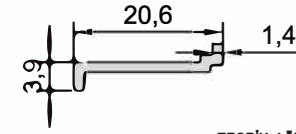
KOD-CODE
AF-5083-15

TEORİK AĞIRLIK
THEORETICAL WEIGHT
0,118 Kg/m



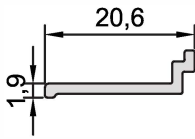
KOD-CODE
AF-5084-15

TEORİK AĞIRLIK
THEORETICAL WEIGHT
0,103 Kg/m



KOD-CODE
AF-5085-15

TEORİK AĞIRLIK
THEORETICAL WEIGHT
0,097 Kg/m



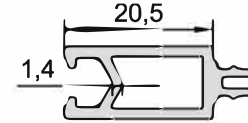
KOD-CODE
AF-5086-15

TEORİK AĞIRLIK
THEORETICAL WEIGHT
0,097 Kg/m



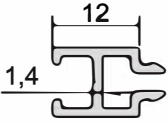
KOD-CODE
AF-5087-15

TEORİK AĞIRLIK
THEORETICAL WEIGHT
0,149 Kg/m



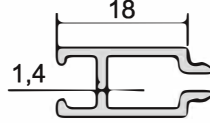
KOD-CODE
AF-5088-15

TEORİK AĞIRLIK
THEORETICAL WEIGHT
0,269 Kg/m



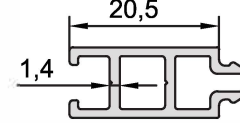
KOD-CODE
AF-5091-15

TEORİK AĞIRLIK
THEORETICAL WEIGHT
0,150 Kg/m



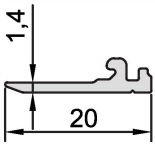
KOD-CODE
AF-5092-15

TEORİK AĞIRLIK
THEORETICAL WEIGHT
0,189 Kg/m



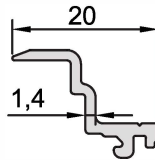
KOD-CODE
AF-5098-12

TEORİK AĞIRLIK
THEORETICAL WEIGHT
0,232 Kg/m



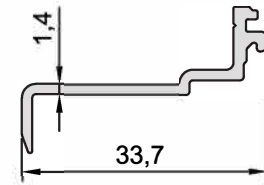
KOD-CODE
AF-5093-14

TEORİK AĞIRLIK
THEORETICAL WEIGHT
0,102 Kg/m



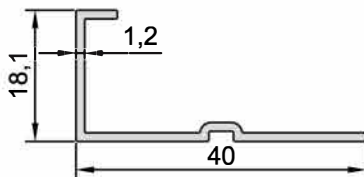
KOD-CODE
AF-5094-14

TEORİK AĞIRLIK
THEORETICAL WEIGHT
0,137 Kg/m



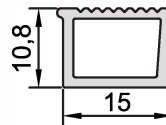
KOD-CODE
AF-5095-16

TEORİK AĞIRLIK
THEORETICAL WEIGHT
0,209 Kg/m



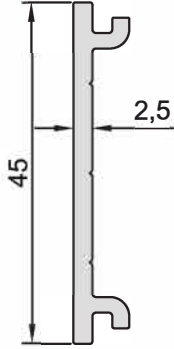
KOD-CODE
AF-5097-12

TEORİK AĞIRLIK
THEORETICAL WEIGHT
0,206 Kg/m



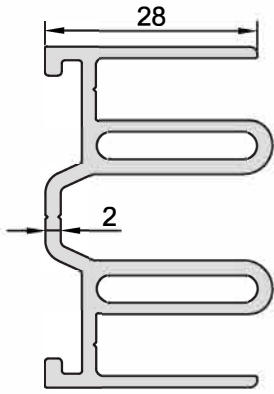
KOD-CODE
AF-5096-15

TEORİK AĞIRLIK
THEORETICAL WEIGHT
0,169 Kg/m



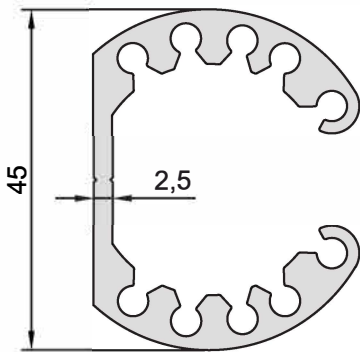
KOD-CODE
KT-5145-25

TEORİK AĞIRLIK
THEORETICAL WEIGHT
0,371 Kg/m



KOD-CODE
KT-5146-25

TEORİK AĞIRLIK
THEORETICAL WEIGHT
0,973 Kg/m



KOD-CODE
KT-5147-25

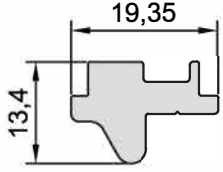
TEORİK AĞIRLIK
THEORETICAL WEIGHT
1,165 Kg/m

KOD	KESİM ÖLÇÜSÜ		AKSESUAR KOD
	CÖDE	CUTTING SIZE	
KT-5145-25	AF-5031-16	48,0 mm	A5048
	AF-5031-20		
KT-5146-25	AF-5032-16	78,0 mm	A5078
	AF-5032-20		
KT-5147-25	AF-5033-16	95,0 mm	A5095
	AF-5033-20		
KT-5146-25	AF-5034-17	116,5 mm	A5116
	AF-5034-20		
KT-5147-25	AF-5035-17	136,0 mm	A5136
	AF-5035-20		
KT-5146-25	AF-5036-18	144,0 mm	A5144
	AF-5036-20		
KT-5147-25	AF-5037-22	171,0 mm	A5170
	AF-5038-22		

AF-50 Cephe Sistemi

(AF-50 Facade System)

ekin PROFİL®
ALÜMİNYUM SİSTEMLER

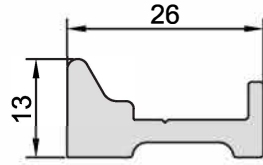


KOD-CODE
KT-5120-00

TEORİK AĞIRLIK
THEORETICAL WEIGHT
0,354 Kg/m

KOD KESİM ÖLÇÜSÜ AKSESUAR KOD

	CODE	CUTTING SIZE	ACCESSORY CODE
KT-5120-00	AF-5061-15	55,0 mm	A1002
	AF-5062-15		
	AF-5065-15		
	AF-5066-15		
	AF-5067-15		
	AF-5068-15		
	AF-5071-15		
	AF-5072-15		

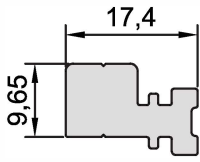


KOD-CODE
KT-5121-00

TEORİK AĞIRLIK
THEORETICAL WEIGHT
0,424 Kg/m

KOD KESİM ÖLÇÜSÜ AKSESUAR KOD

	CODE	CUTTING SIZE	ACCESSORY CODE
KT-5121-00	AF-5061-15	55,0 mm	A1002
	AF-5062-15		
	AF-5065-15		
	AF-5066-15		
	AF-5067-15		
	AF-5068-15		
	AF-5071-15		
	AF-5072-15		

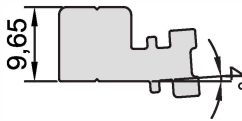


KOD-CODE
KT-5118-00

TEORİK AĞIRLIK
THEORETICAL WEIGHT
0,380 Kg/m

KOD KESİM ÖLÇÜSÜ AKSESUAR KOD

	CODE	CUTTING SIZE	ACCESSORY CODE
KT-5118-00 KT-5119-00	AF-5061-15	55,0 mm	A1003 A1004
	AF-5062-15		
	AF-5065-15		
	AF-5066-15		
	AF-5067-15		
	AF-5068-15		
	AF-5069-15		
	AF-5070-15		
	AF-5071-15		
	AF-5072-15		
	AF-5073-15		
	AF-5074-15		



KOD-CODE
KT-5119-00

TEORİK AĞIRLIK
THEORETICAL WEIGHT
0,390 Kg/m

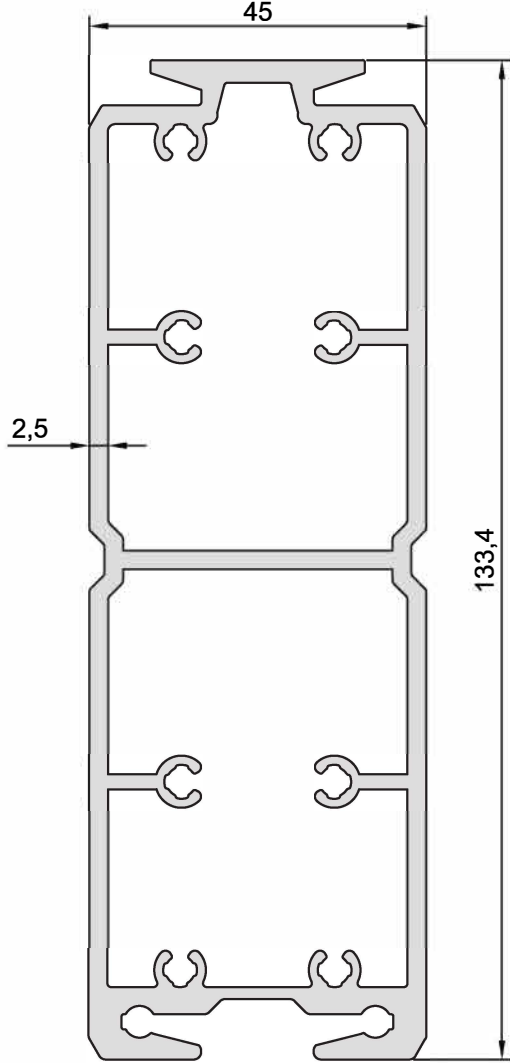
KOD KESİM ÖLÇÜSÜ AKSESUAR KOD

	CODE	CUTTING SIZE	ACCESSORY CODE
KT-5126-00	AF-5076-16	55,0 mm	A1005
	AF-5081-15		
	AF-5082-15		

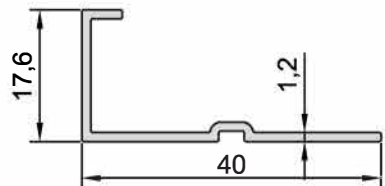


KOD-CODE
KT-5126-00

TEORİK AĞIRLIK
THEORETICAL WEIGHT
0,331 Kg/m



KOD-CODE KT-5133-00
TEORİK AĞIRLIK
THEORETICAL WEIGHT 3,467 Kg/m



KOD-CODE AF-5097-12
TEORİK AĞIRLIK
THEORETICAL WEIGHT 0,206 Kg/m

KOD KESİM ÖLÇÜSÜ AKSESUAR KOD

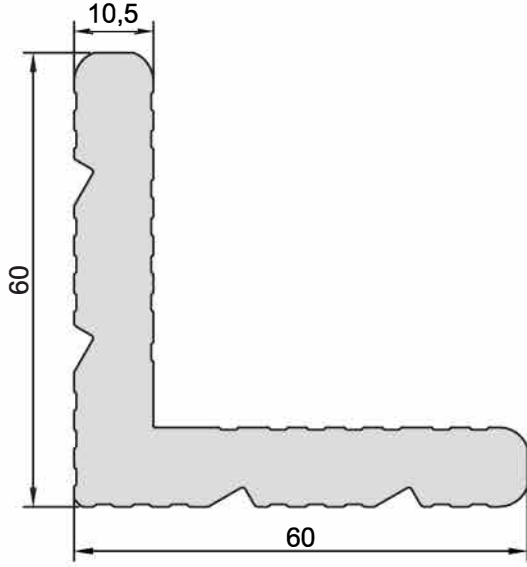
CODE	CUTTING SIZE	ACCESSORY CODE
AF-5011-16 AF-5011-20	33,0 mm	A4033
AF-5012-16 AF-5012-20	63,0 mm	A4063
AF-5013-16 AF-5013-20	84,5 mm	A4085
AF-5014-17 AF-5014-20	101,5 mm	A4102
AF-5015-17 AF-5015-20	121,2 mm	A4122
AF-5016-18 AF-5016-20	122,5 mm	A4123
AF-5017-24 AF-5018-24	152,4 mm	A4153

KOD KESİM ÖLÇÜSÜ AKSESUAR KOD

CODE	CUTTING SIZE	ACCESSORY CODE
AF-5011-16 AF-5011-20 AF-5012-16 AF-5012-20 AF-5013-16 AF-5013-20 AF-5014-17 AF-5014-20 AF-5015-17 AF-5015-20 AF-5016-18 AF-5016-20 AF-5017-24 AF-5018-24	55,0 mm	A1006

AF-50 Cephe Sistemi (AF-50 Facade System)

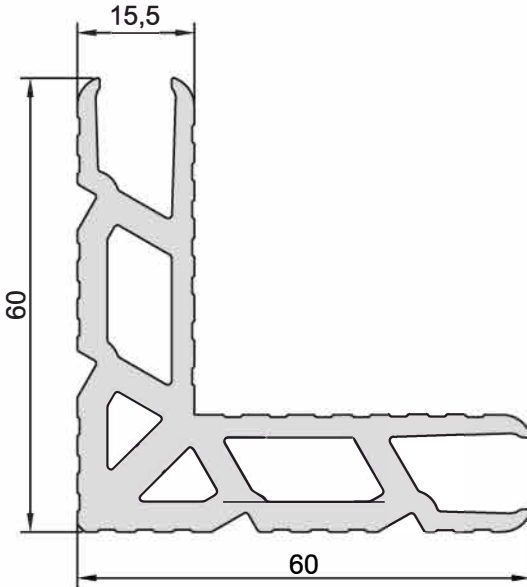
ekin PROFİL®
ALÜMİNYUM SİSTEMLER



KOD-CODE TEORİK AĞIRLIK
KT-2105-00 THEORETICAL WEIGHT
2,938 Kg/m

KOD KESİM ÖLÇÜSÜ AKSESUAR KOD

CODE	CUTTING SIZE	ACCESSORY CODE
AF-5061-15 AF-5065-15 AF-5067-15 AF-5069-15 AF-5073-15 AF-5074-15	25,8 mm	A1126
AF-5062-15 AF-5066-15 AF-5068-15 AF-5070-15 AF-5071-15	20,5 mm	A1120
AF-5072-15	6,5 mm	A1106
AF-5077-15 AF-5078-15	28,2 mm	A1128
AF-5079-15 AF-5080-15	48,8 mm	A1148



KOD-CODE TEORİK AĞIRLIK
KT-2155-00 THEORETICAL WEIGHT
2,328 Kg/m

KOD KESİM ÖLÇÜSÜ AKSESUAR KOD

CODE	CUTTING SIZE	ACCESSORY CODE
AF-5061-15 AF-5062-15 AF-5071-15	33,8 mm	A1634
AF-5067-15 AF-5068-15	27,8 mm	A1628
AF-5065-15 AF-5066-15	54,3 mm	A1654
AF-5072-15	30,8 mm	A1630
AF-5075-15	6,3 mm	A1606
AF-5076-16	9,8 mm	A1610



AC-030

DÜŞEY - YATAY FİTİL
VERTICAL - HORIZONTAL WICK
12 Kg - 260 M



AC-050

DÜŞEY - YATAY FİTİL
VERTICAL - HORIZONTAL WICK
12 Kg - 144 M



AC-080

DÜŞEY FİTİL AÇILI
ANGLED VERTICAL WICK
15 Kg - 50 M



AC-091

DÜŞEY - YATAY FİTİL
VERTICAL - HORIZONTAL WICK
12 Kg - 115 M



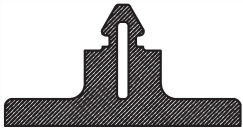
AC-130

BASKI KAPAK FİTİLİ
PRESSED CAP WICK
12 Kg - 190 M



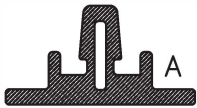
AC-200

ORTA FİTİLİ
MIDDLE WICK
10 Kg - 65 M



AC-310

DÜŞEY - YATAY SİLİKON CEPHE
TİJLİ SİSTEM
VERTICAL - HORIZONTAL
SILICONE FACADE TIGED SYSTEM
15 Kg - 50 M



AC-250

KAPAK BİTİŞ FİTİLİ
CAP ENDING WICK
15 Kg - 50 M



AC3-01

KANAT BİNİ FİTİLİ
SASH BIN WICK
10 Kg - 295 M



AC-160

KASET FİTİLİ
CASSETTE WICK
10 Kg - 185 M



AC-190

SİLİKON FİTİL
SILICONE WICK
12 Kg - 105 M



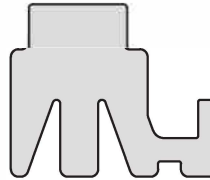
AC-501

YAKA CONTASI
COLLAR GASKET
15 Kg - 100 M



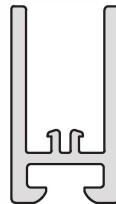
AC-502

ADET - QUANTITY: 1



PLS-01

ADET - QUANTITY: 1



PLS-02

ADET - QUANTITY: 1 (6 M)

Cephe Makasları

Facade Shears

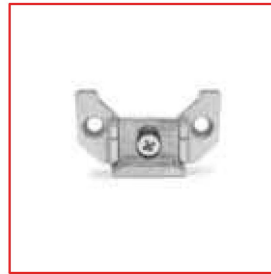
AÇIKLAMA EXPLANATION	KANAT GEN. SASH WIDTH	KANAT YÜK. SASH HEIGHT	AĞIRLIK WEIGHT KG.
SIEGENIA CEPHE MAKASI 14"	1000	1200	65
SIEGENIA CEPHE MAKASI 16"	1200	1200	82
SIEGENIA CEPHE MAKASI 18"	1400	1500	100
SIEGENIA CEPHE MAKASI 20"	1600	1600	108
SIEGENIA CEPHE MAKASI 22"	1700	1800	112
SIEGENIA CEPHE MAKASI 24"	1800	1800	120
SIEGENIA CEPHE MAKASI 26"	1900	1900	125
SIEGENIA CEPHE MAKASI 28"	2000	2000	130



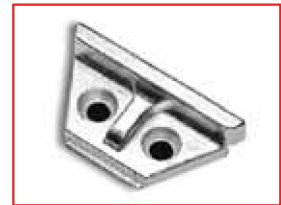
**Tek Dilli Kıvrık
Cephe Kolu**
Single Latch Bolt
Curved Facade Handle



**Çift Dilli Kıvrık
Cephe Kolu**
Double Latch Bolt
Curved Facade Handle

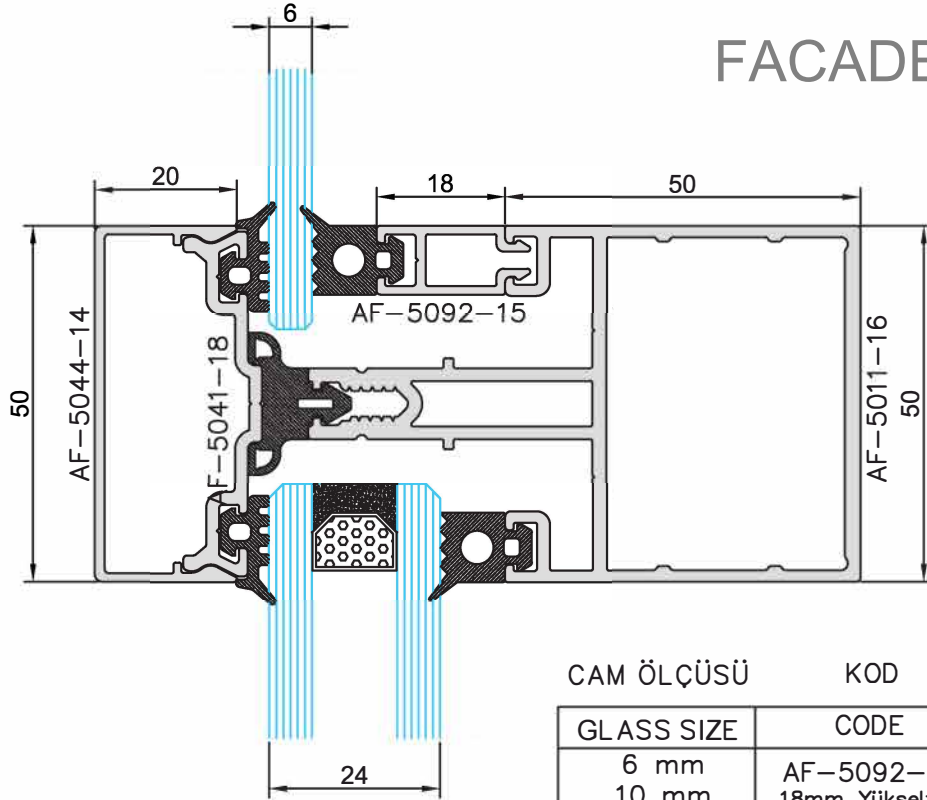


**Ayarlı
Cephe Karşılığı**
Adjustable
Facade Striker



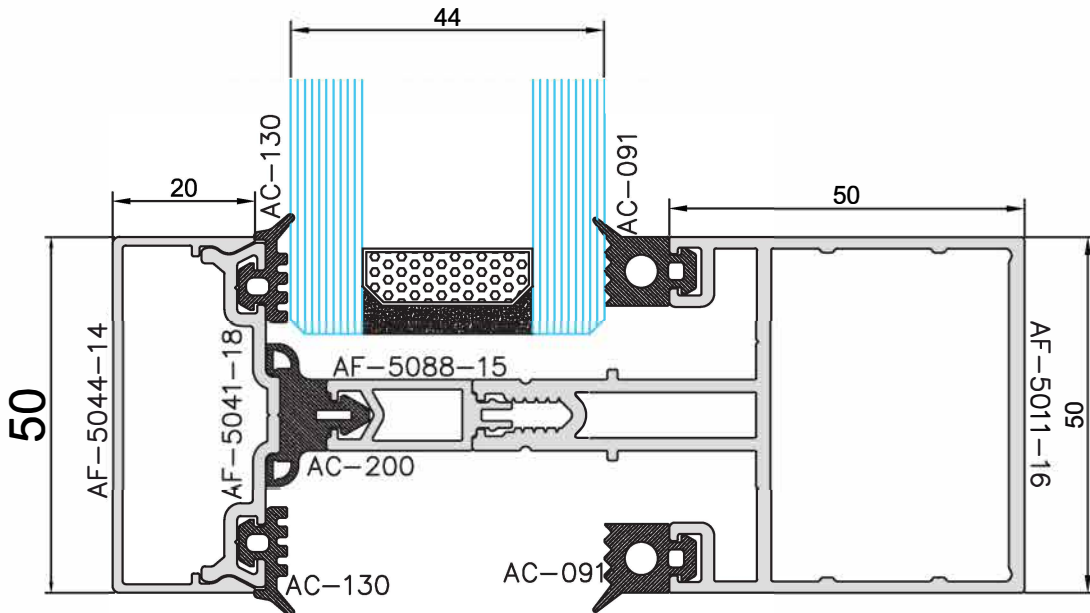
**Sabit
Zamak Karşılığı**
Fixed
Zamac Striker

KAPAKLI CEPHE
FACADE WITH CAP

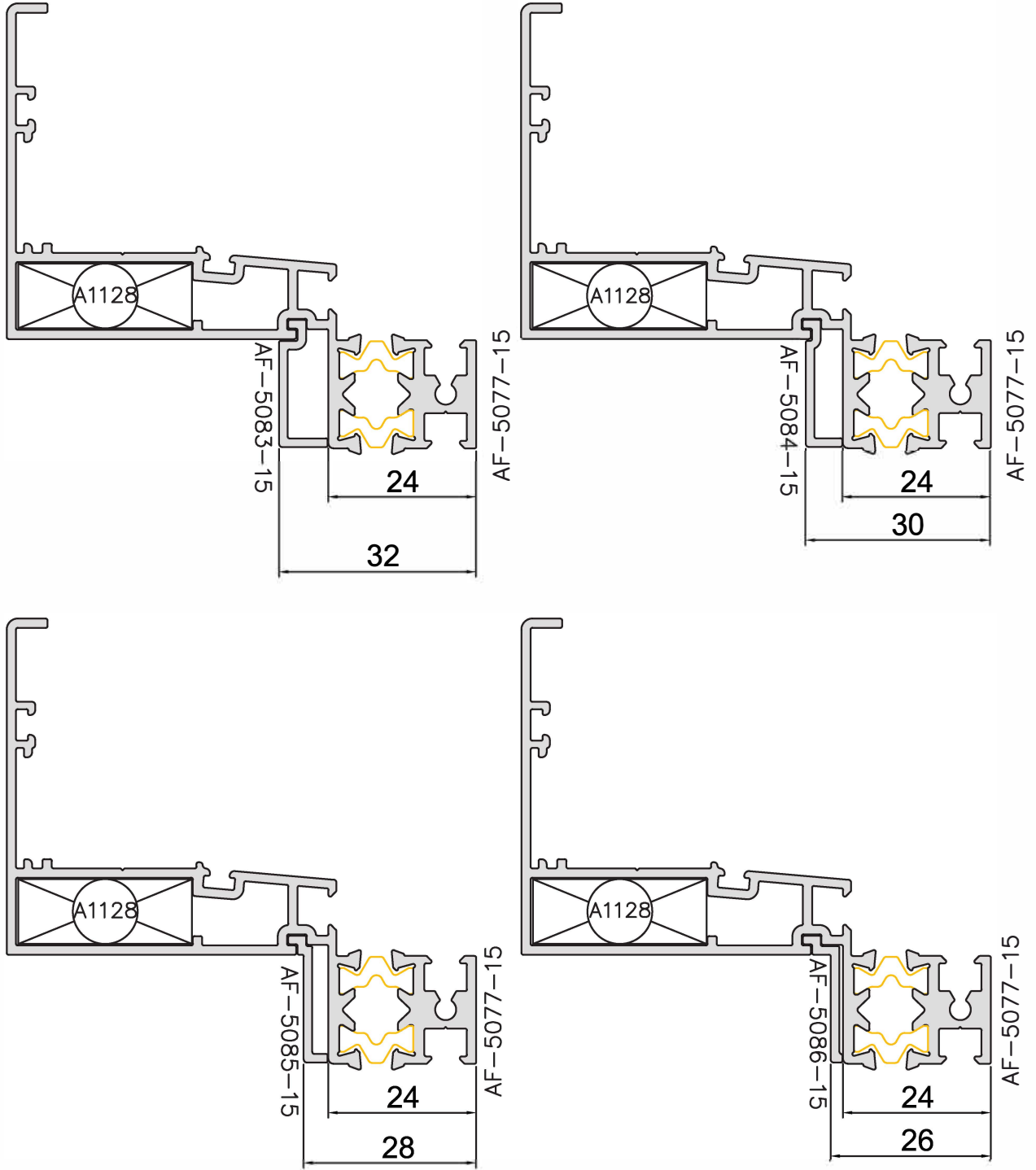


CAM ÖLÇÜSÜ KOD FITİL KOD

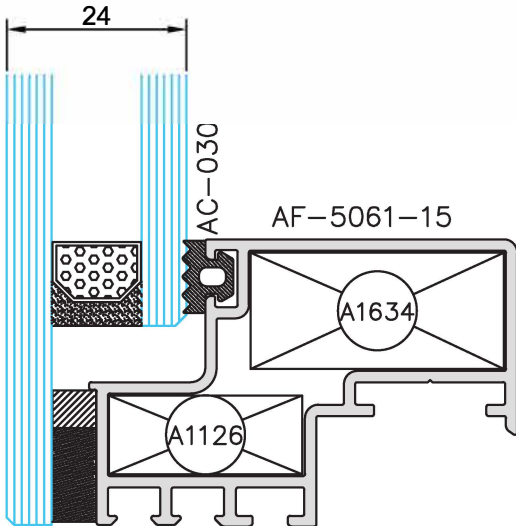
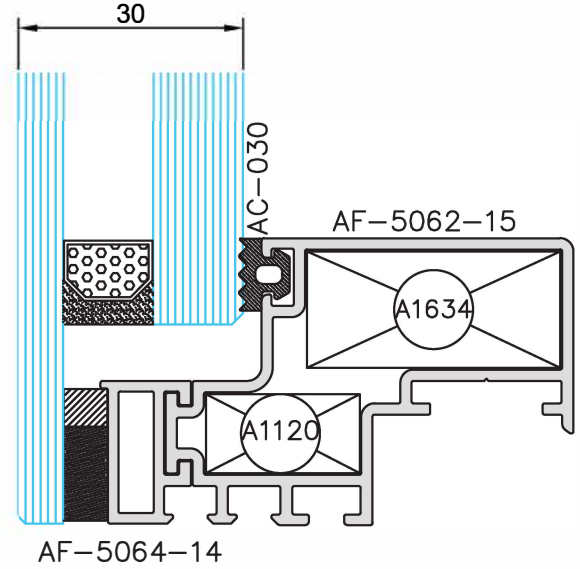
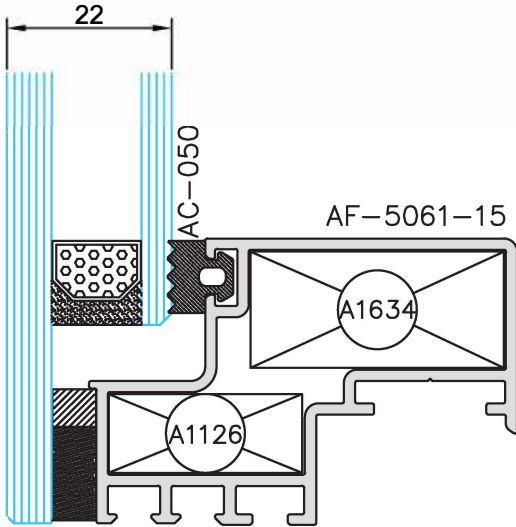
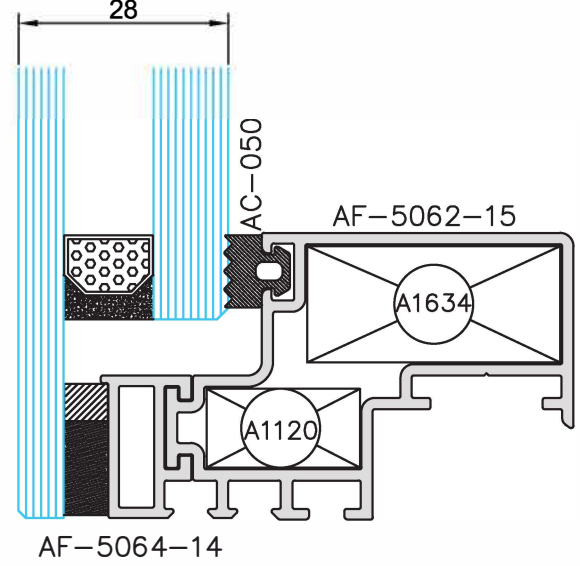
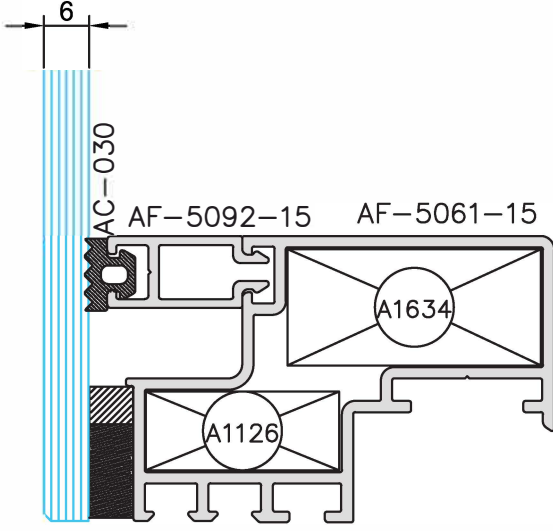
GLASS SIZE	CODE	WICK CODE
6 mm	AF-5092-15	AE-030
10 mm	18mm Yükseltme	AE-091
12 mm	AF-5091-15	AE-030
22 mm	12mm Yükseltme	AE-091
24 mm		AE-030
30 mm		AE-091
32 mm	AF-5087-15	AE-030
42 mm	8mm G Yükseltme	AE-091
44 mm	AF-5088-15	AE-030
48 mm	20mm G Yükseltme	AE-091



KAPAKLI CEPHE
FACADE WITH CAP

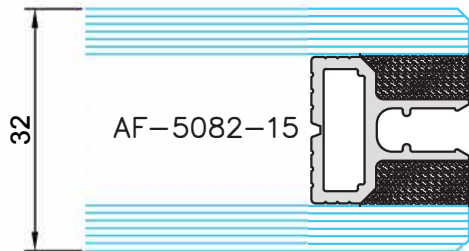
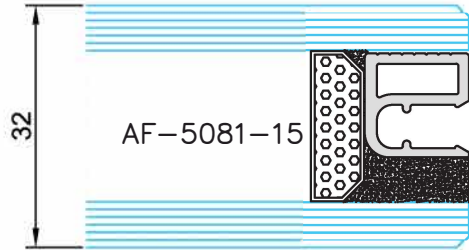
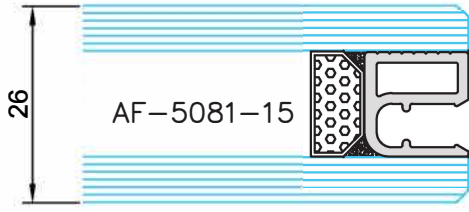


SİLİKON CEPHE
SILICONE FACADE



CAM ÖLÇÜSÜ	KOD	FITİL KOD
GLASS SIZE	CODE	WICK CODE
6 mm	AF-5092-15	AC-030
10 mm	18mm Yükseltme	
22 mm		AC-050
24 mm		AC-030
28 mm	AF-5064-14 6mm Yükseltme	AC-050
30 mm	AF-5064-14 6mm Yükseltme	AC-030

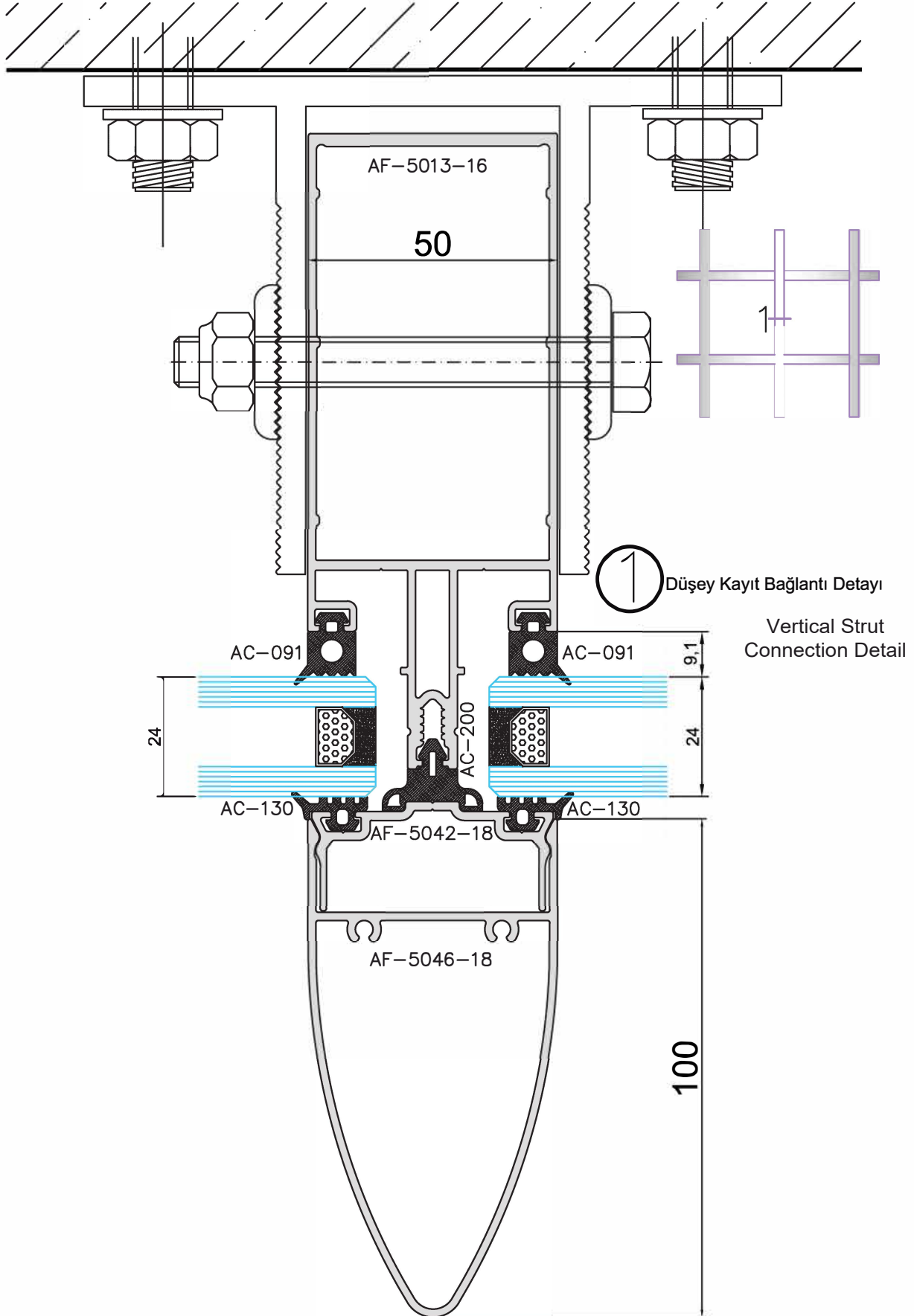
KLİPSLİ CEPHE FACADE WITH CLIP

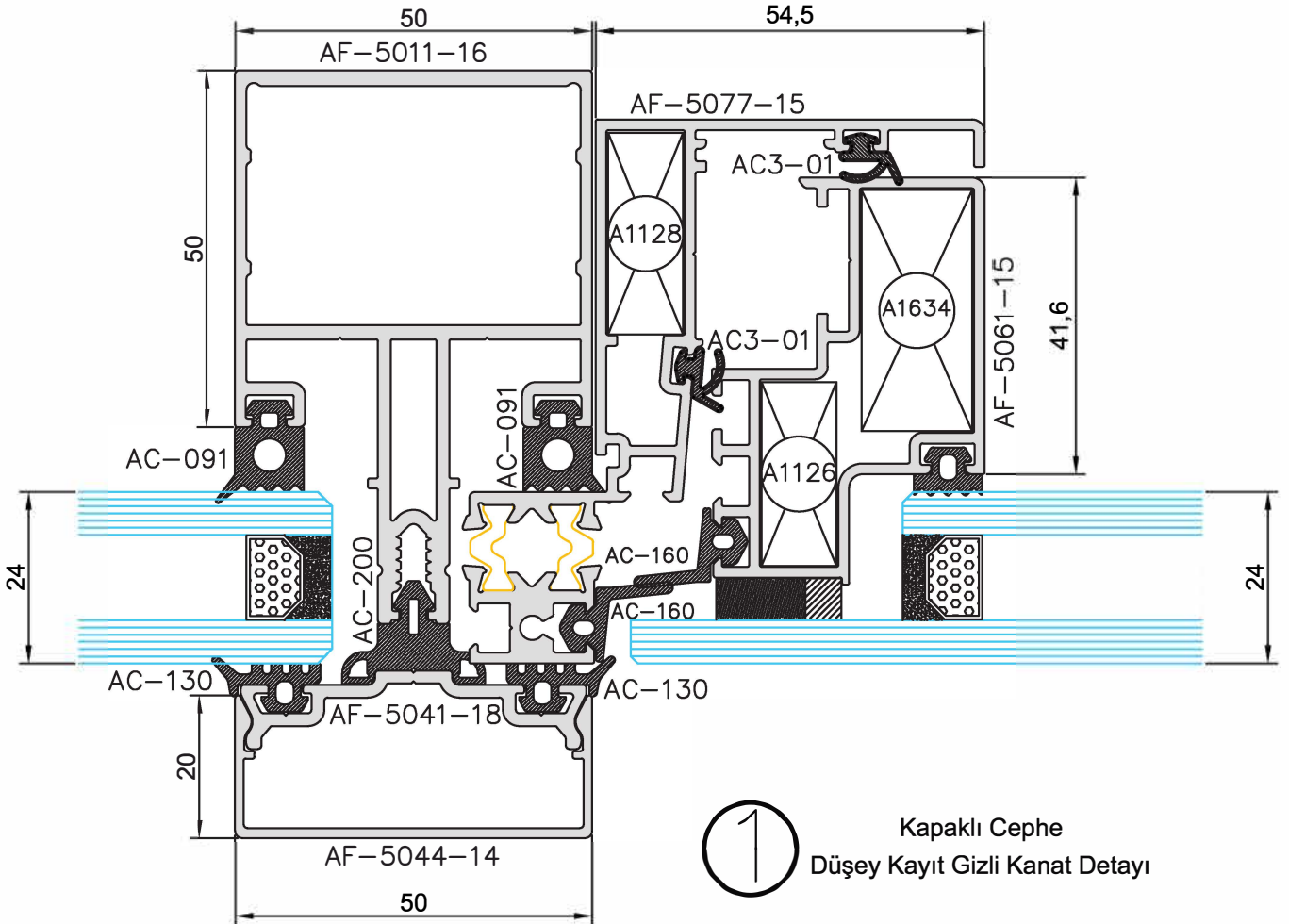
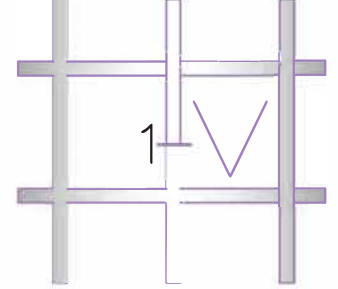


CAM ÖLÇÜSÜ	KOD	CAM ÇITA KODU
GLASS SIZE	CÖDE	LATH CODE
26 mm	AF-5081-15	14mm
28 mm		16mm
32 mm		20mm
32 mm	AF-5082-15	

AF-50 Cephe Sistemi (AF-50 Facade System)

ekin PROFİL®
ALÜMİNYUM SİSTEMLER



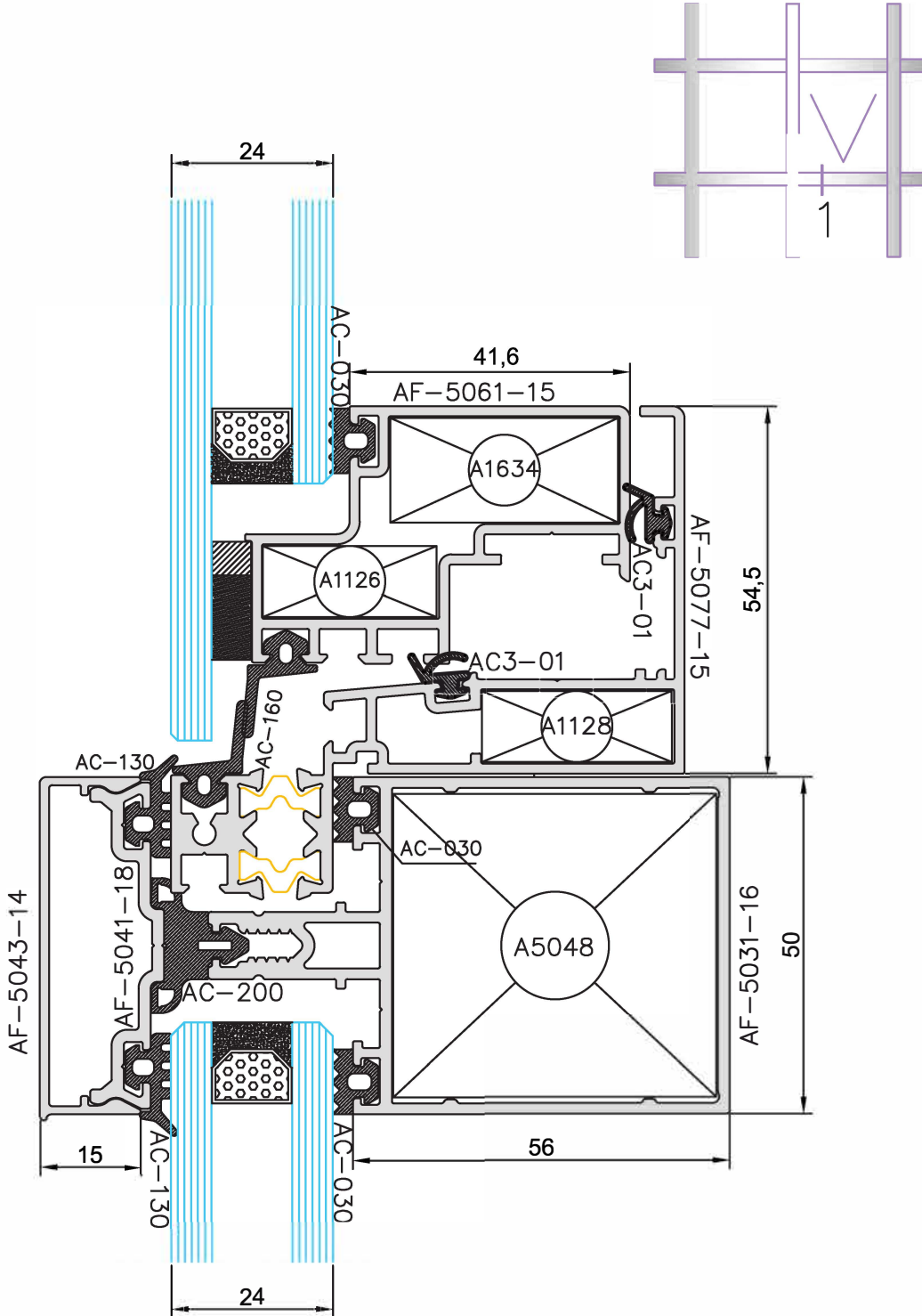


Kapaklı Cephe
Düşey Kayıt Gizli Kanat Detayı

Capped Facade
Vertical Strut Hidden Sash Detail

AF-50 Cephe Sistemi (AF-50 Facade System)

ekin PROFİL®
ALÜMİNYUM SİSTEMLER

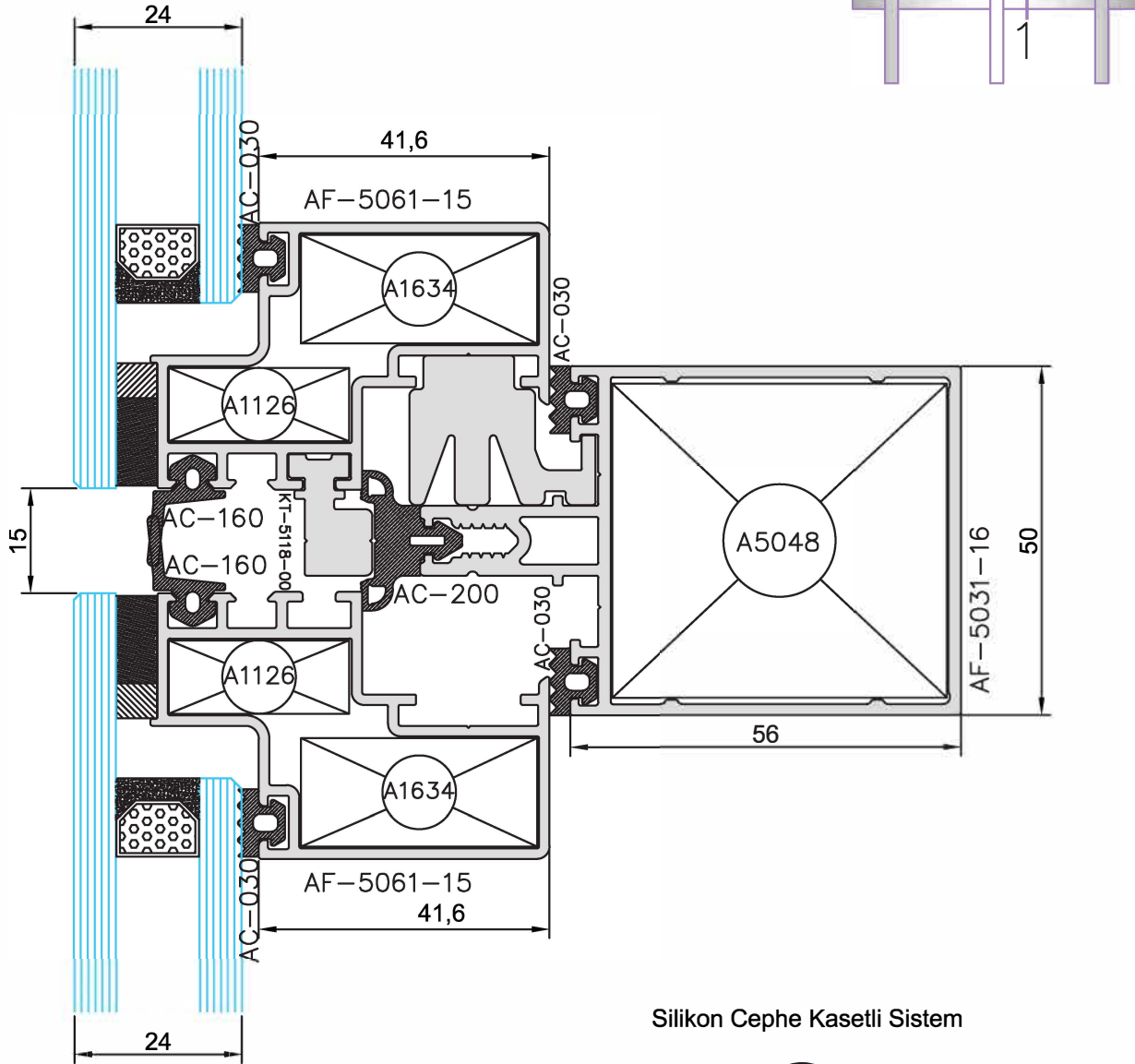


1 Kapaklı Cephe
Yatay Kayıt Gizli Kanat Detayı

Capped Facade
Horizontal Strut Hidden Sash Detail

AF-50 Cephe Sistemi (AF-50 Facade System)

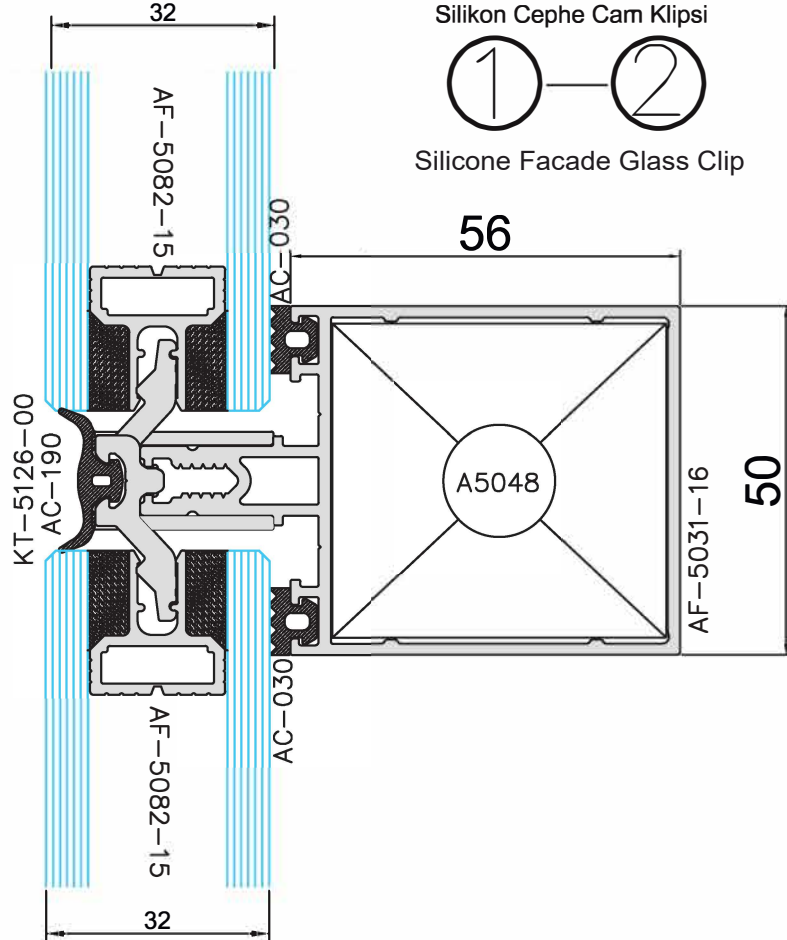
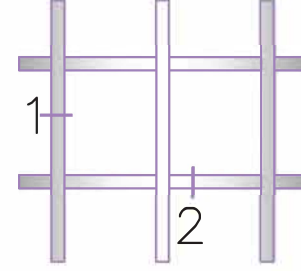
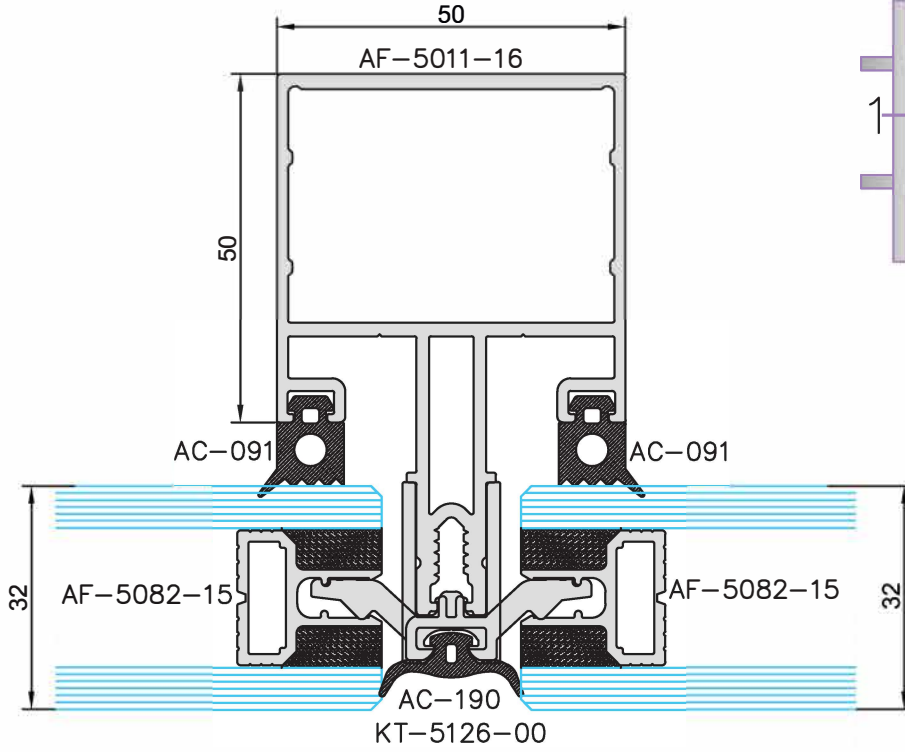
ekin PROFİL®
ALÜMİNYUM SİSTEMLER



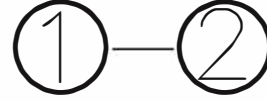
Silikon Cephe Kasetli Sistem



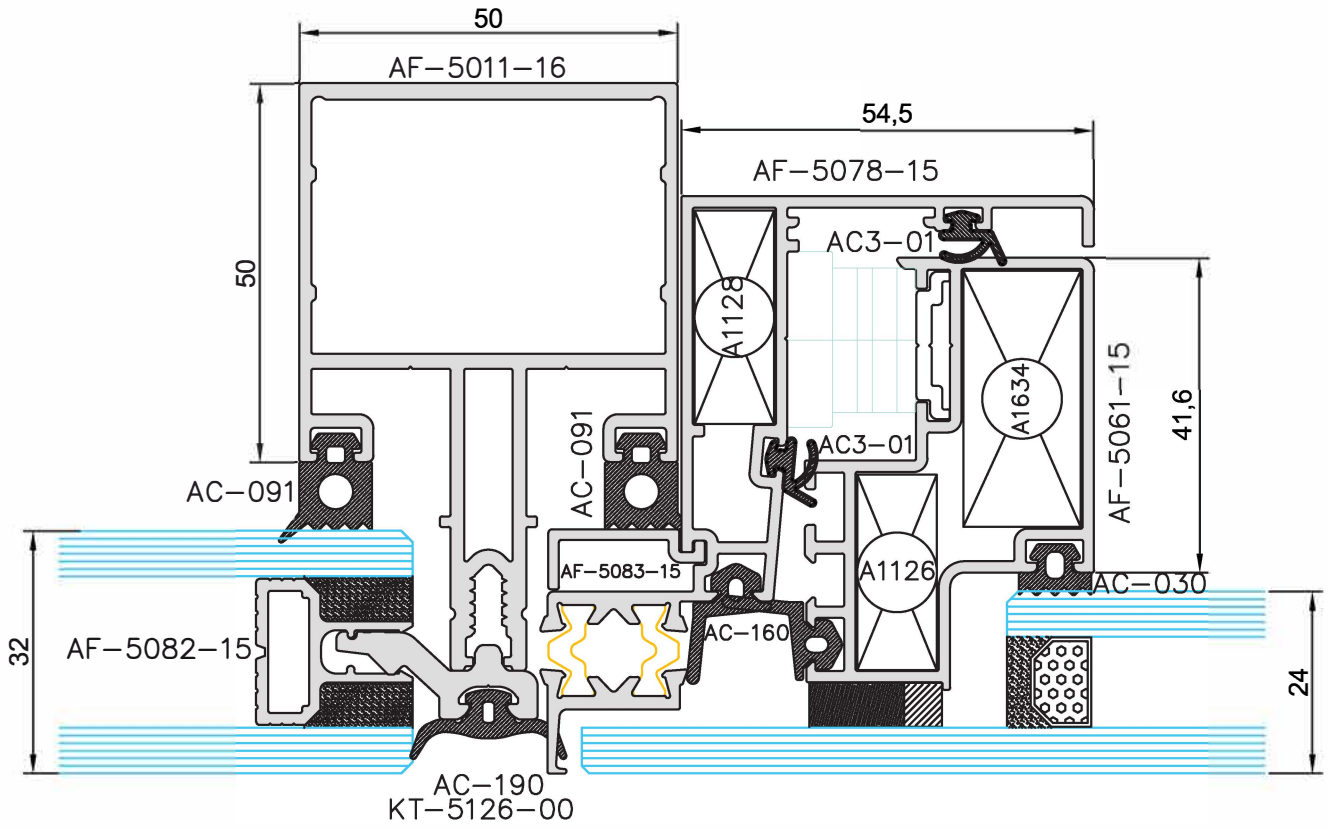
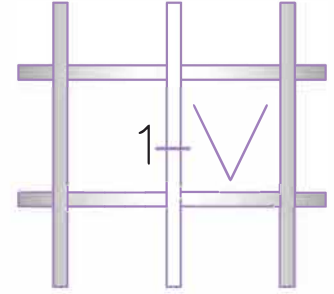
Silicone Facade Cassette System



Silikon Cephe Cam Klipsi



Silicone Facade Glass Clip



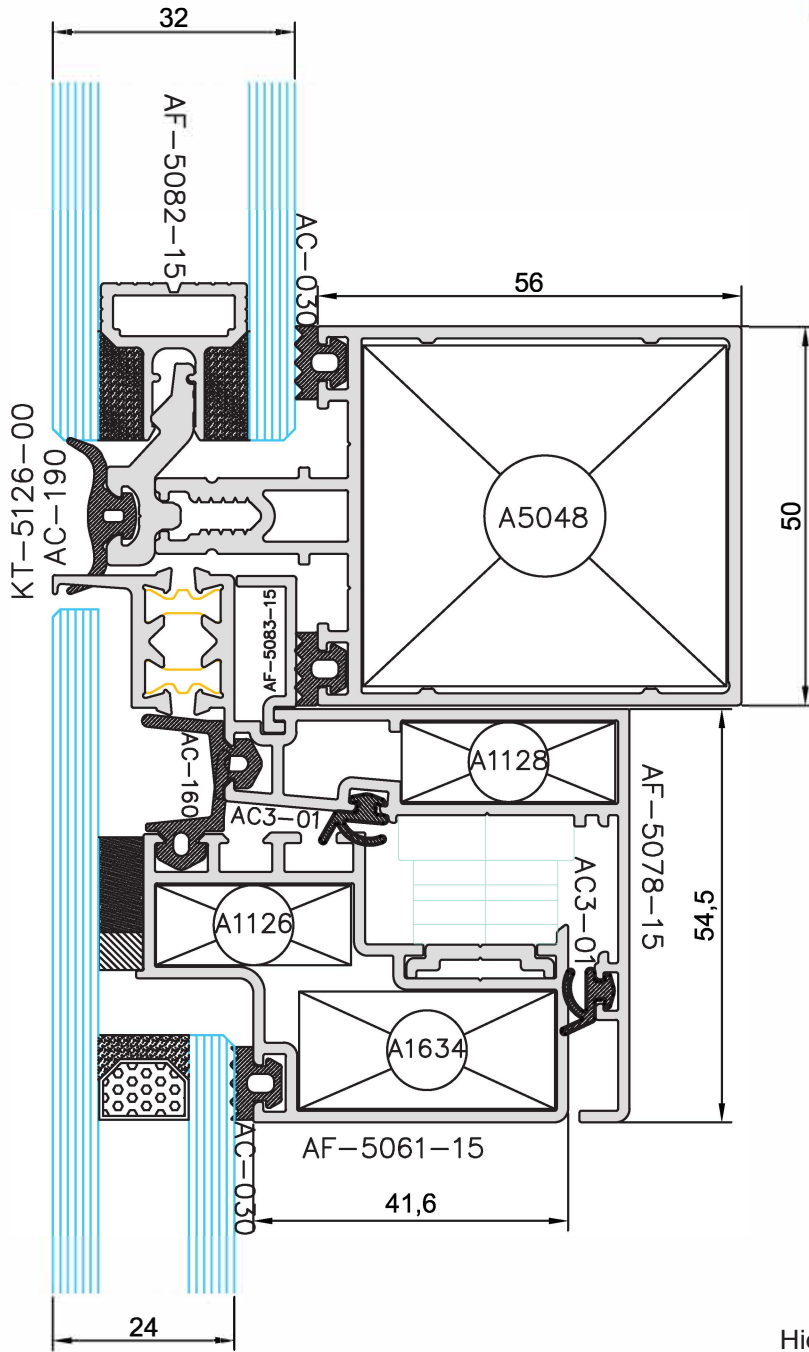
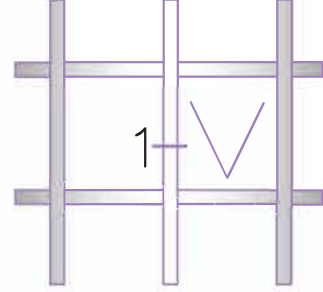
Silikon Cephe
Düşey Kayıt Gizli Kanat Detayı



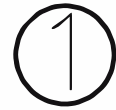
Silicone Facade
Vertical Strut Hidden Sash Detail

AF-50 Cephe Sistemi (AF-50 Facade System)

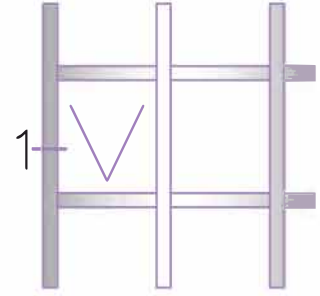
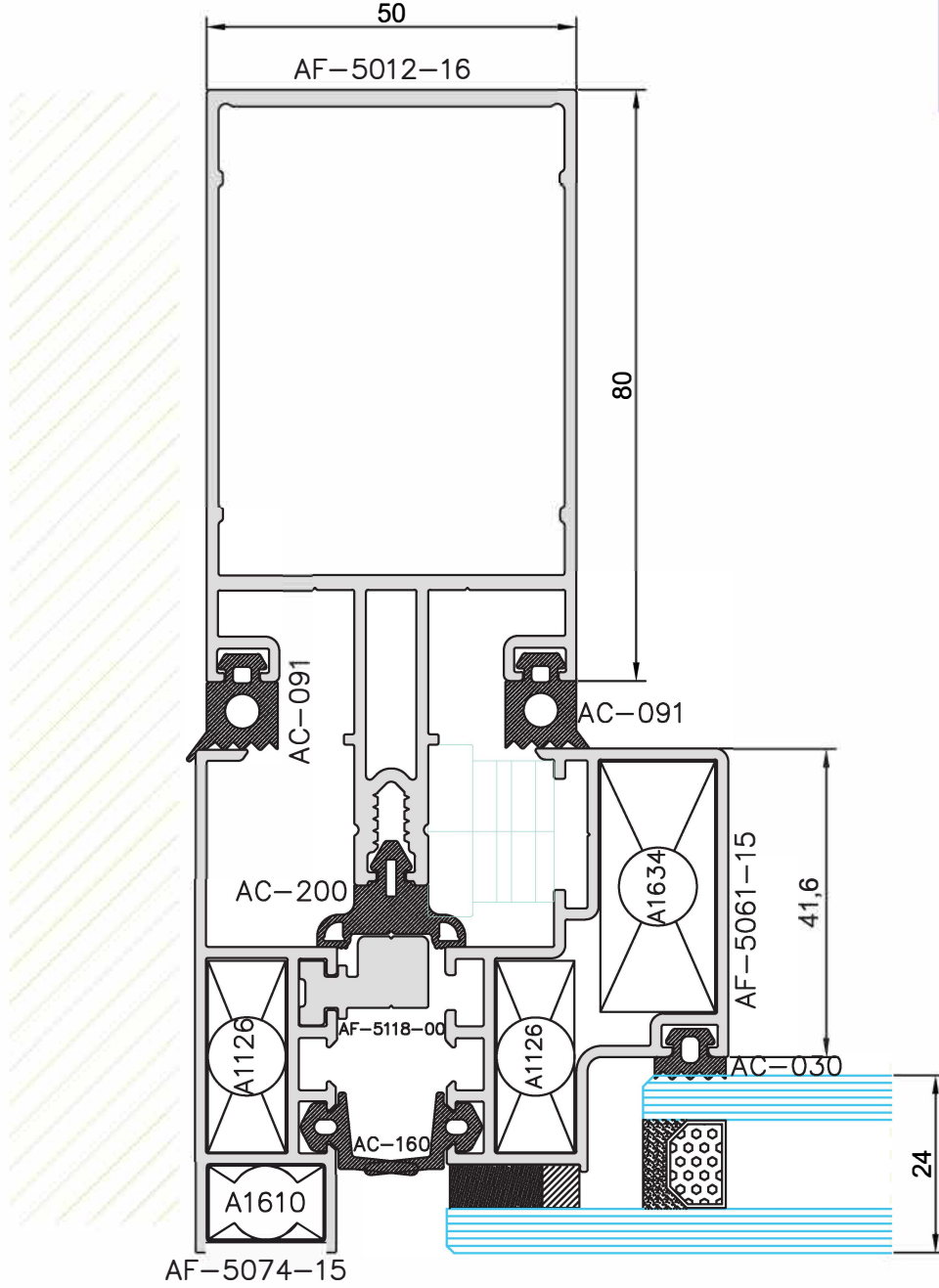
ekin PROFİL®
ALÜMİNYUM SİSTEMLER



Silikon Cephe
Gizli Kanat Açılır - Sabit Detay



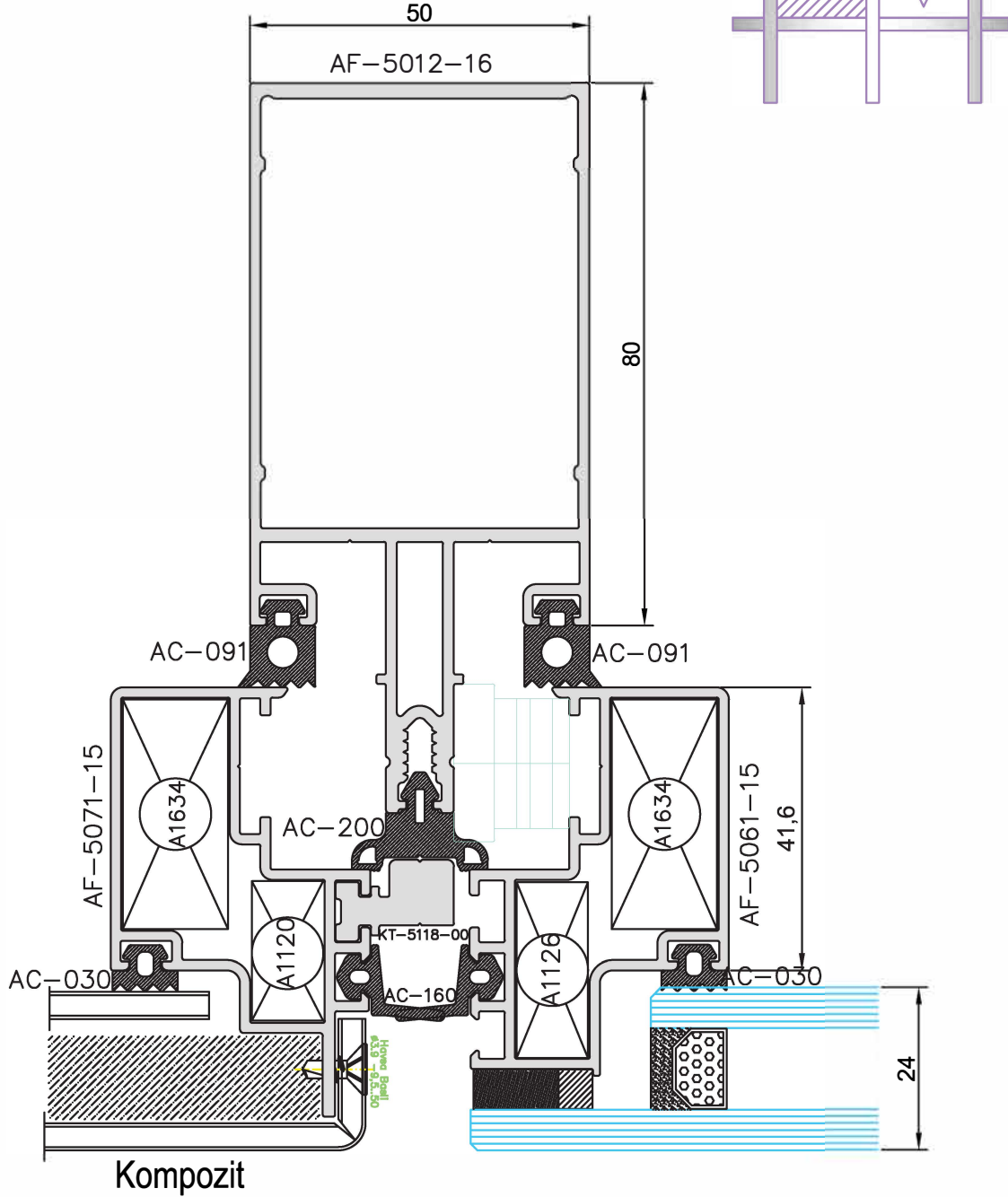
Silicone Facade
Hidden Sash Openable - Fixed Detail



Silicone Facade
Ending Detail



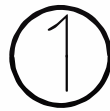
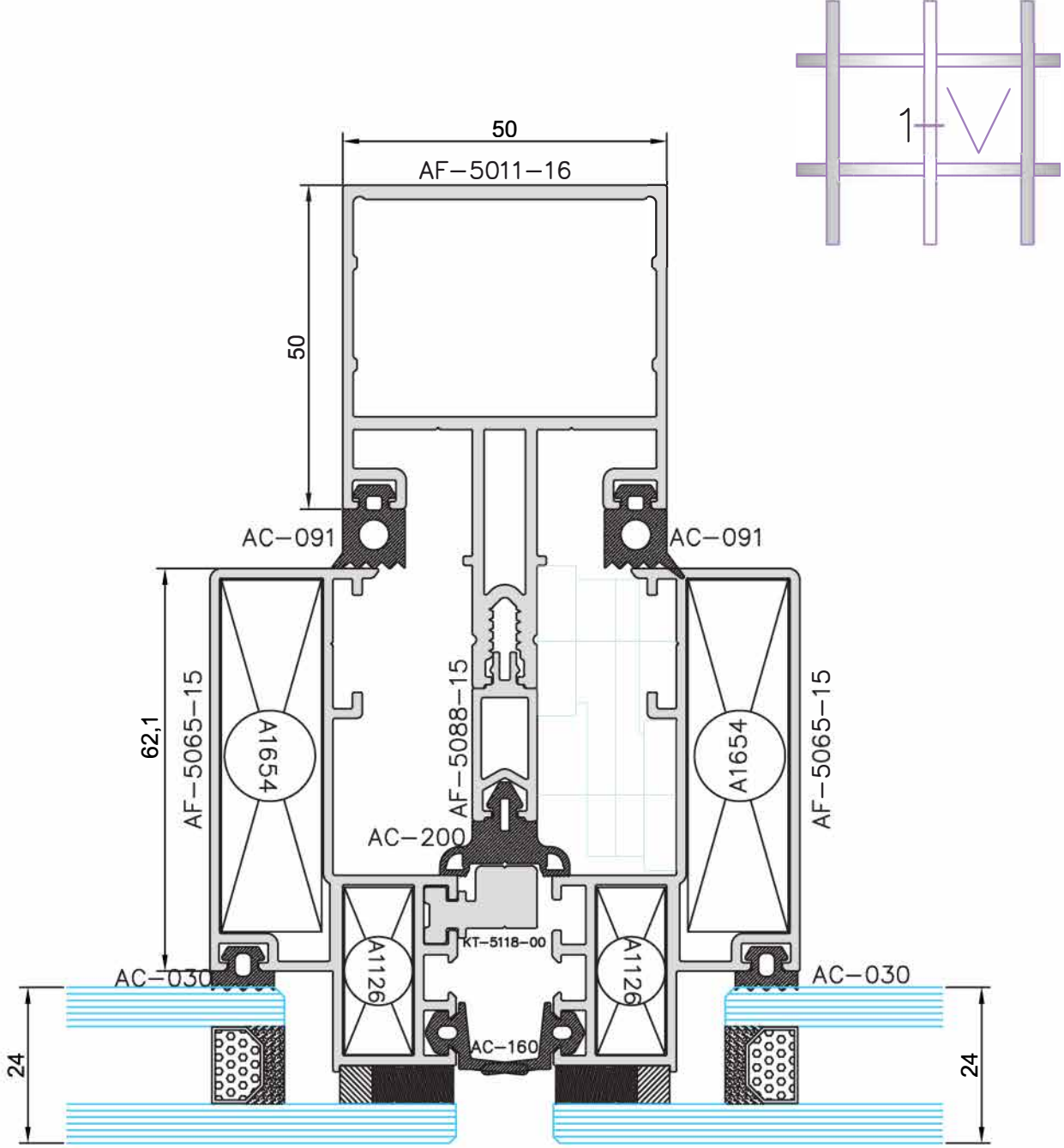
Silikon Cephe
Bitiş Detayı



Silicone Facade
Cassette Composite Detail



Silikon Cephe
Kasetli Kompozit Detayı

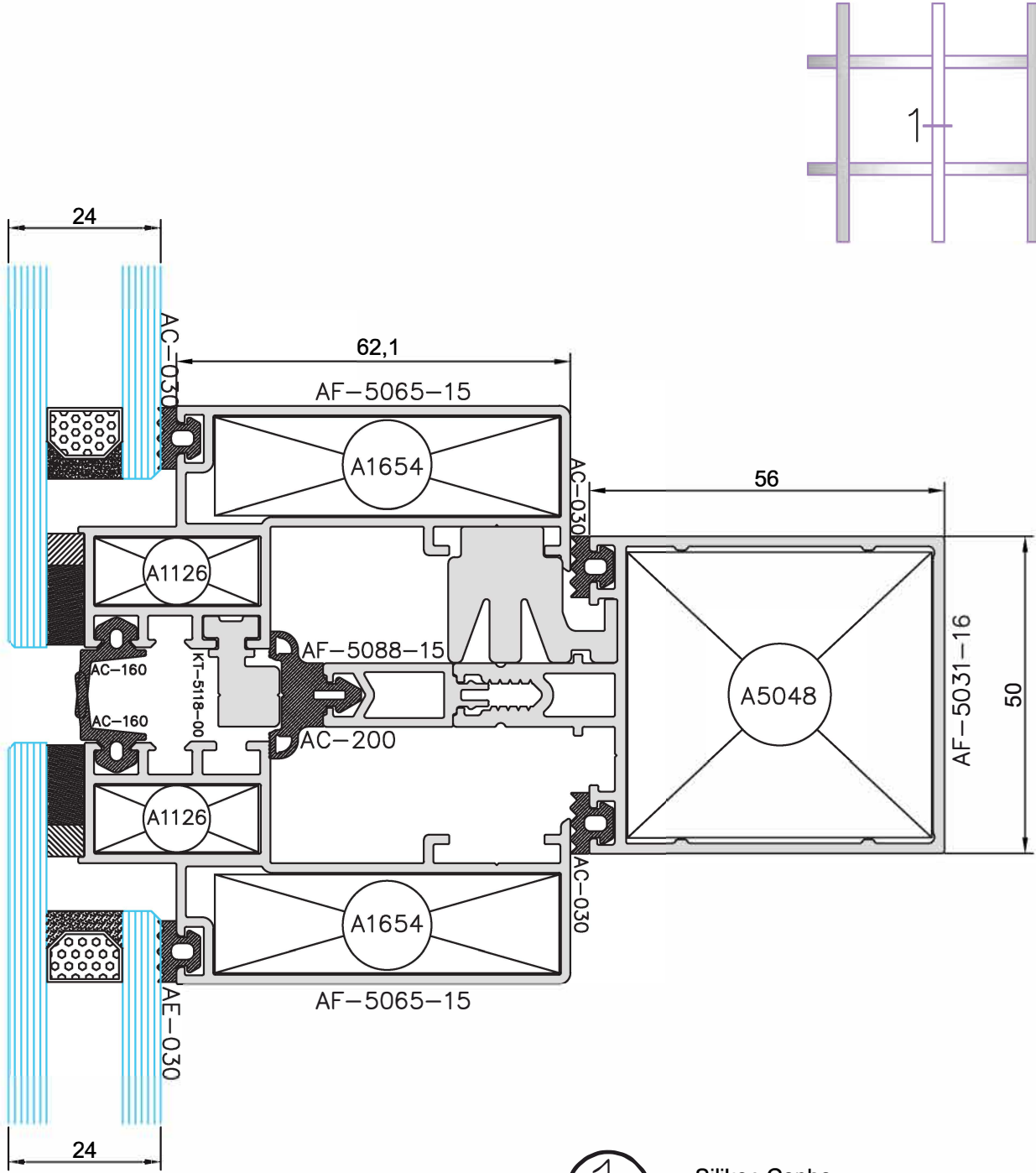


Silikon Cephe
Palalel Kaset - Gizli Kanat Detayı

Silicone Facade
Paraele Cassette - Hidden Sash Detail

AF-50 Cephe Sistemi (AF-50 Facade System)

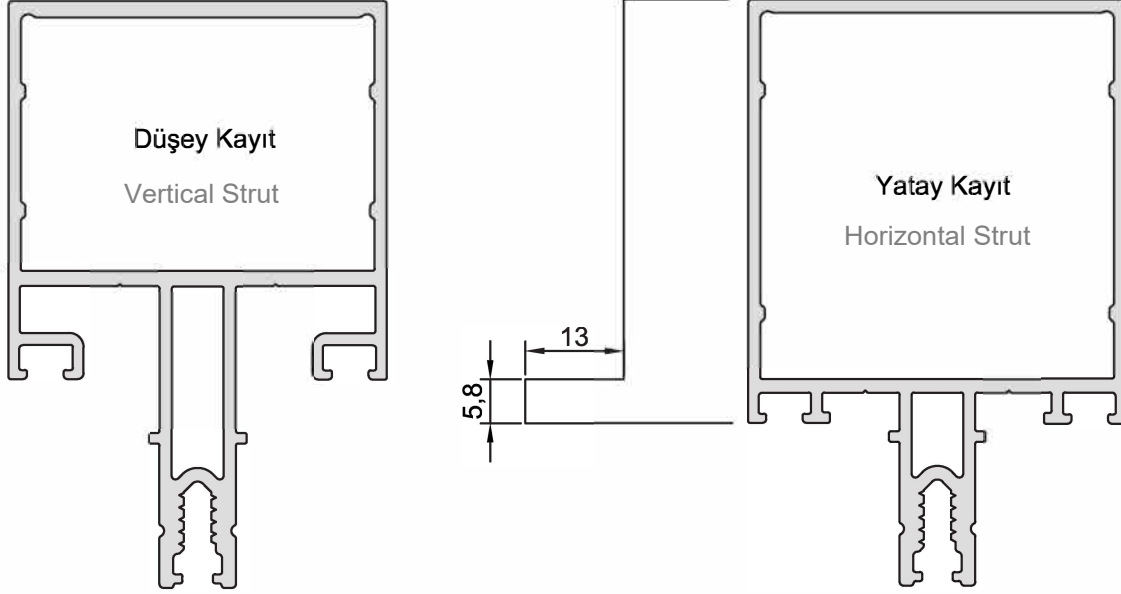
ekin PROFİL®
ALÜMİNYUM SİSTEMLER



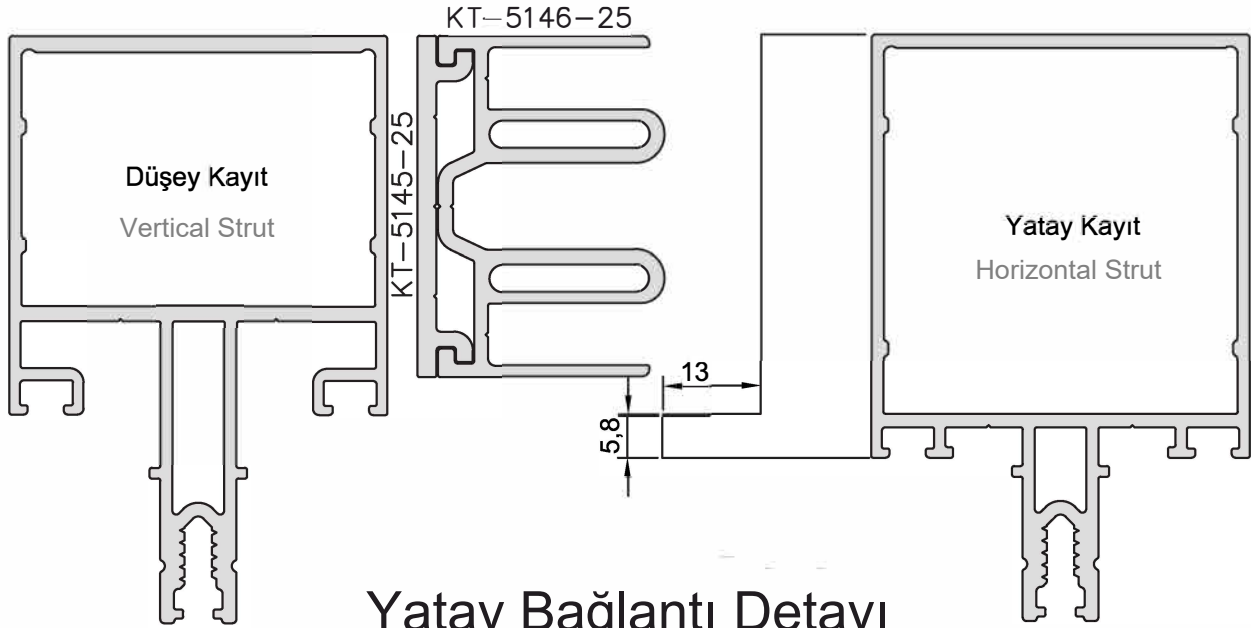
Silicone Facade
Parallele Cassette Detail



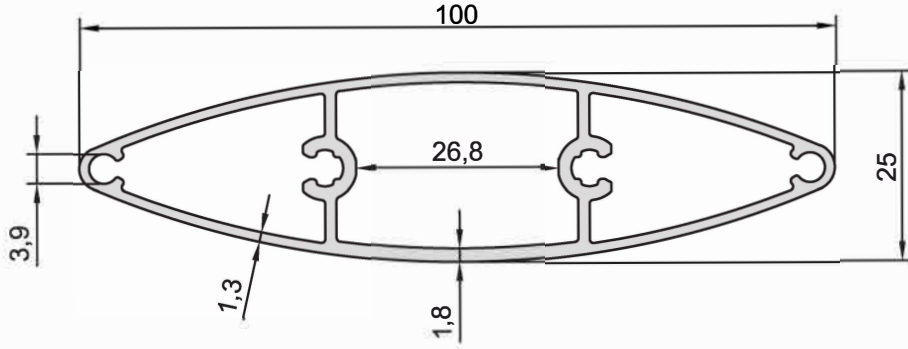
Silikon Cephe
Palalel Kaset Detayı



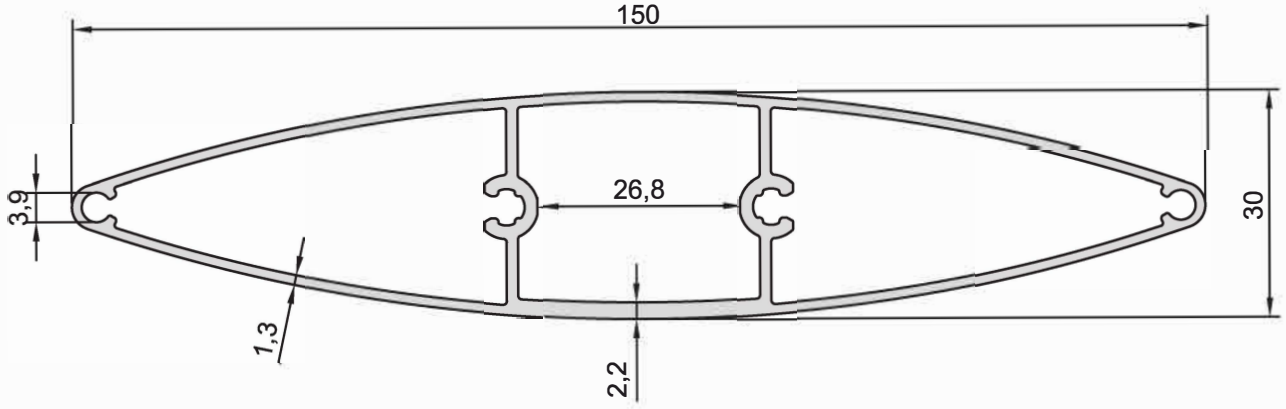
Kertme Detayı
Notching Detail



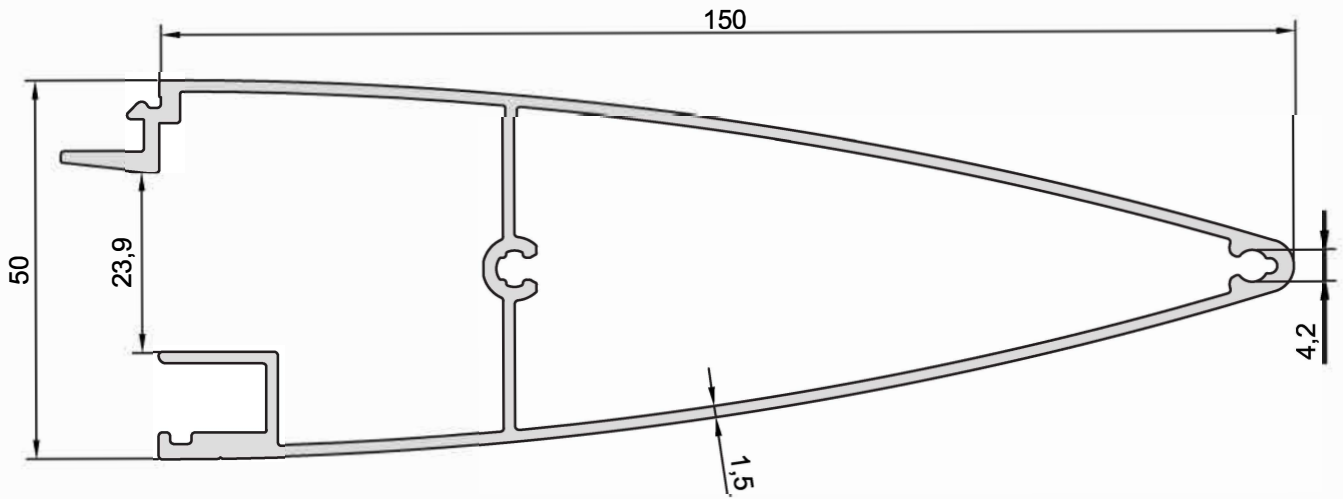
Yatay Bağlantı Detayı
Horizontal Connection Detail



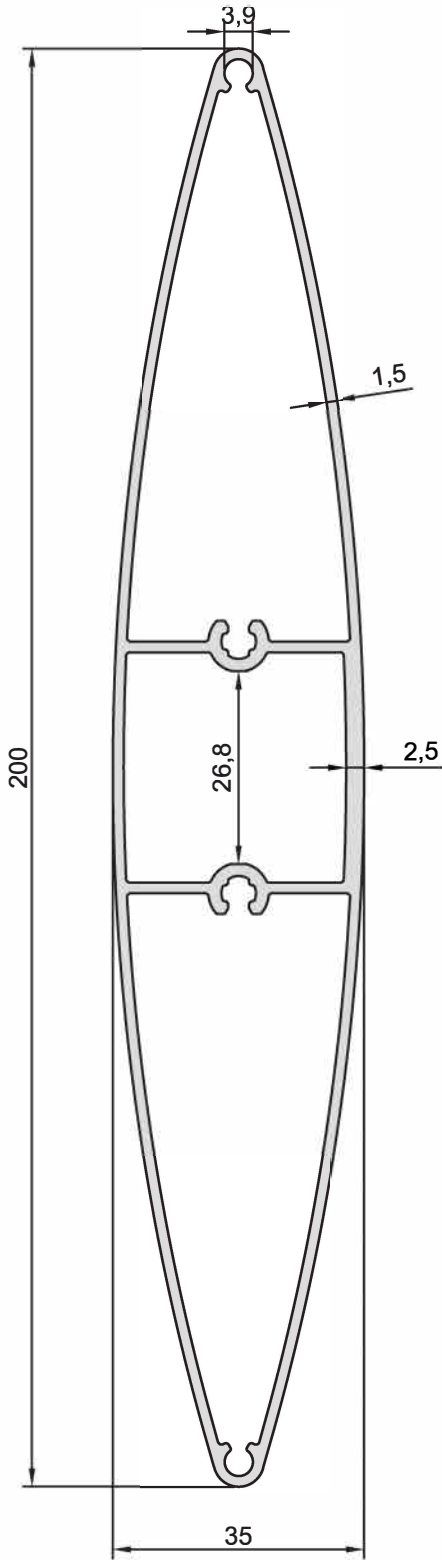
KOD-CODE 1109
TEORİK AĞIRLIK
THEORETICAL WEIGHT
1,056 Kg/m



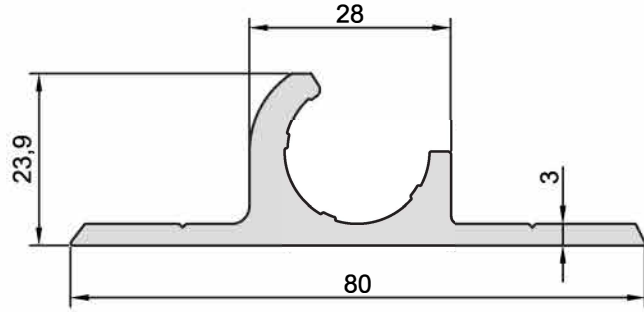
KOD-CODE 1110
TEORİK AĞIRLIK
THEORETICAL WEIGHT
1,491 Kg/m



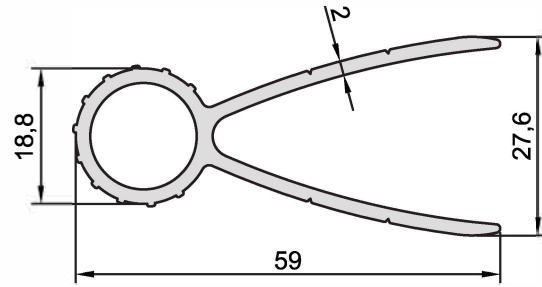
KOD-CODE 1112
TEORİK AĞIRLIK
THEORETICAL WEIGHT
1,822 Kg/m



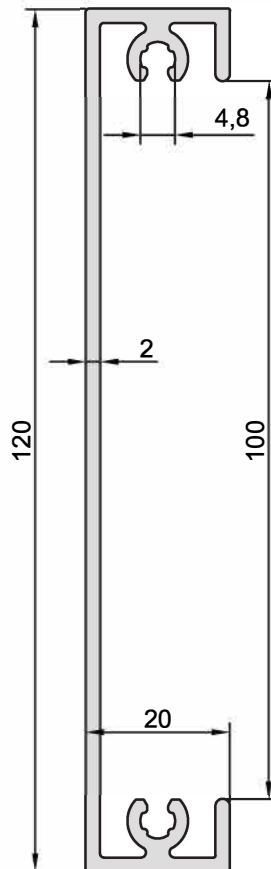
KOD-CODE 1111
TEORİK AĞIRLIK
THEORETICAL WEIGHT
2,121 Kg/m



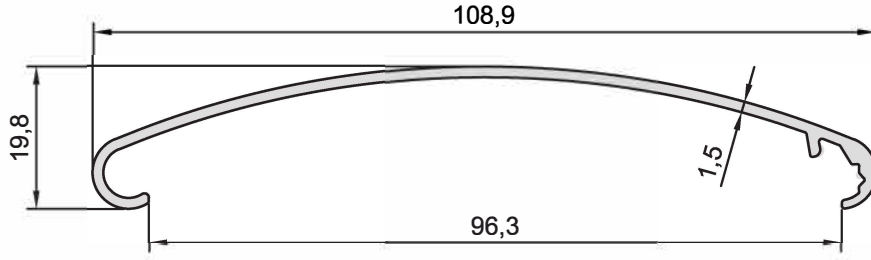
KOD-CODE 1113
TEORİK AĞIRLIK
THEORETICAL WEIGHT
1,134 Kg/m



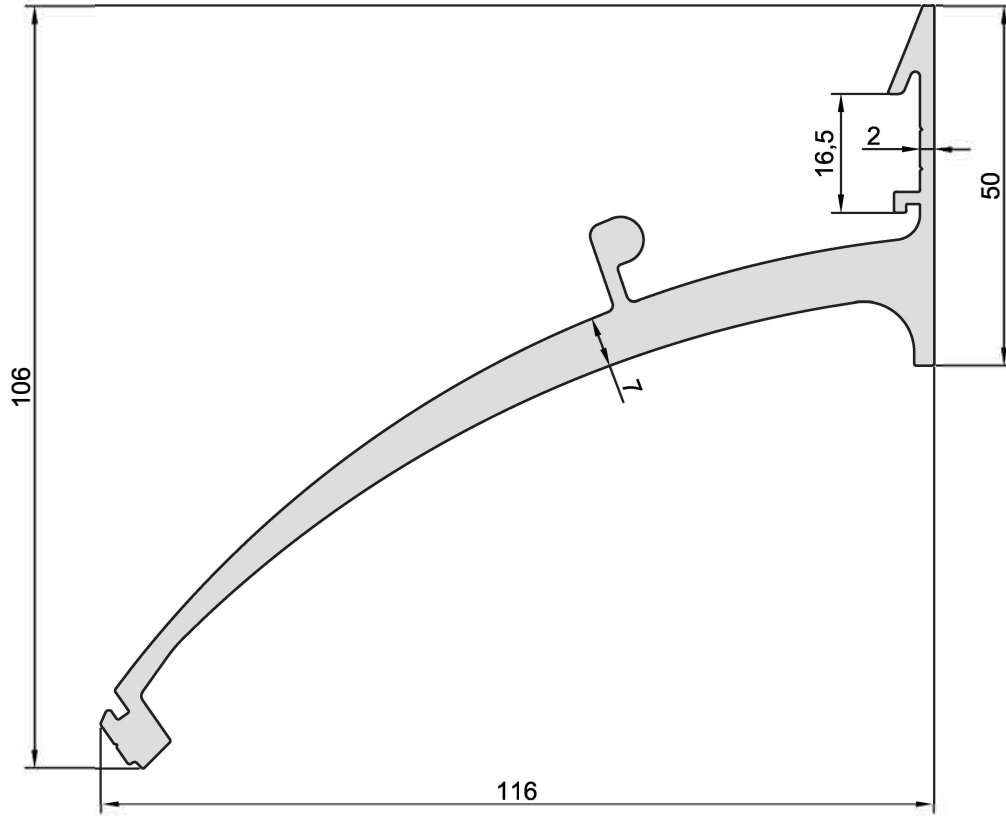
KOD-CODE 1114
TEORİK AĞIRLIK
THEORETICAL WEIGHT
0,747 Kg/m



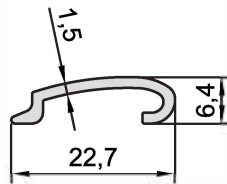
KOD-CODE 1115
TEORİK AĞIRLIK
THEORETICAL WEIGHT
1,110 Kg/m



KOD—CODE TEORİK AĞIRLIK
THEORETICAL WEIGHT
1116 0,554 Kg/m

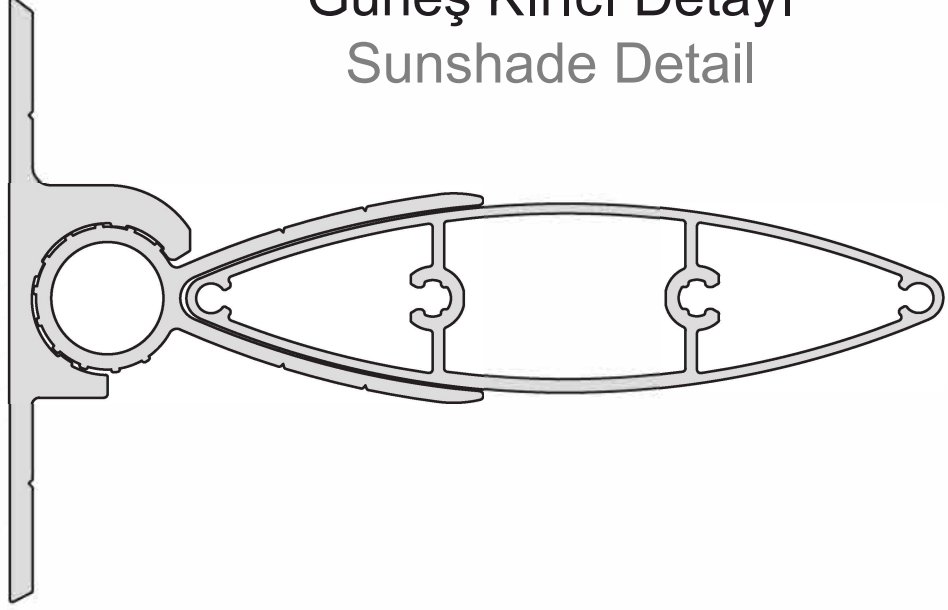


KOD—CODE TEORİK AĞIRLIK
THEORETICAL WEIGHT
1117 2,746 Kg/m

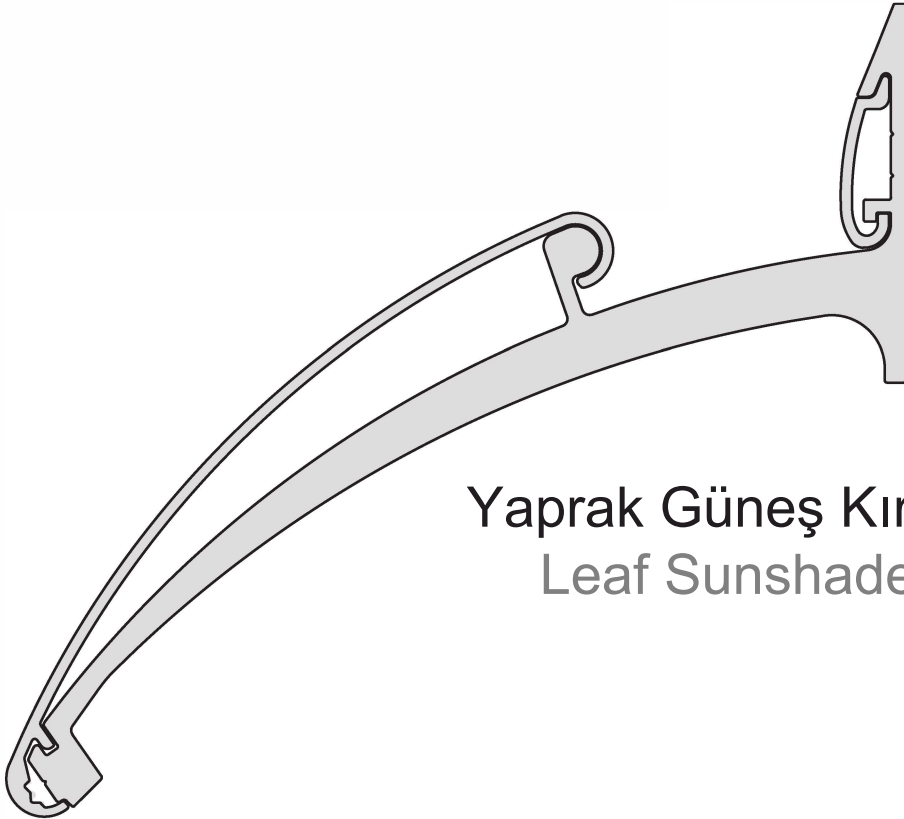


KOD—CODE TEORİK AĞIRLIK
THEORETICAL WEIGHT
1118 0,125 Kg/m

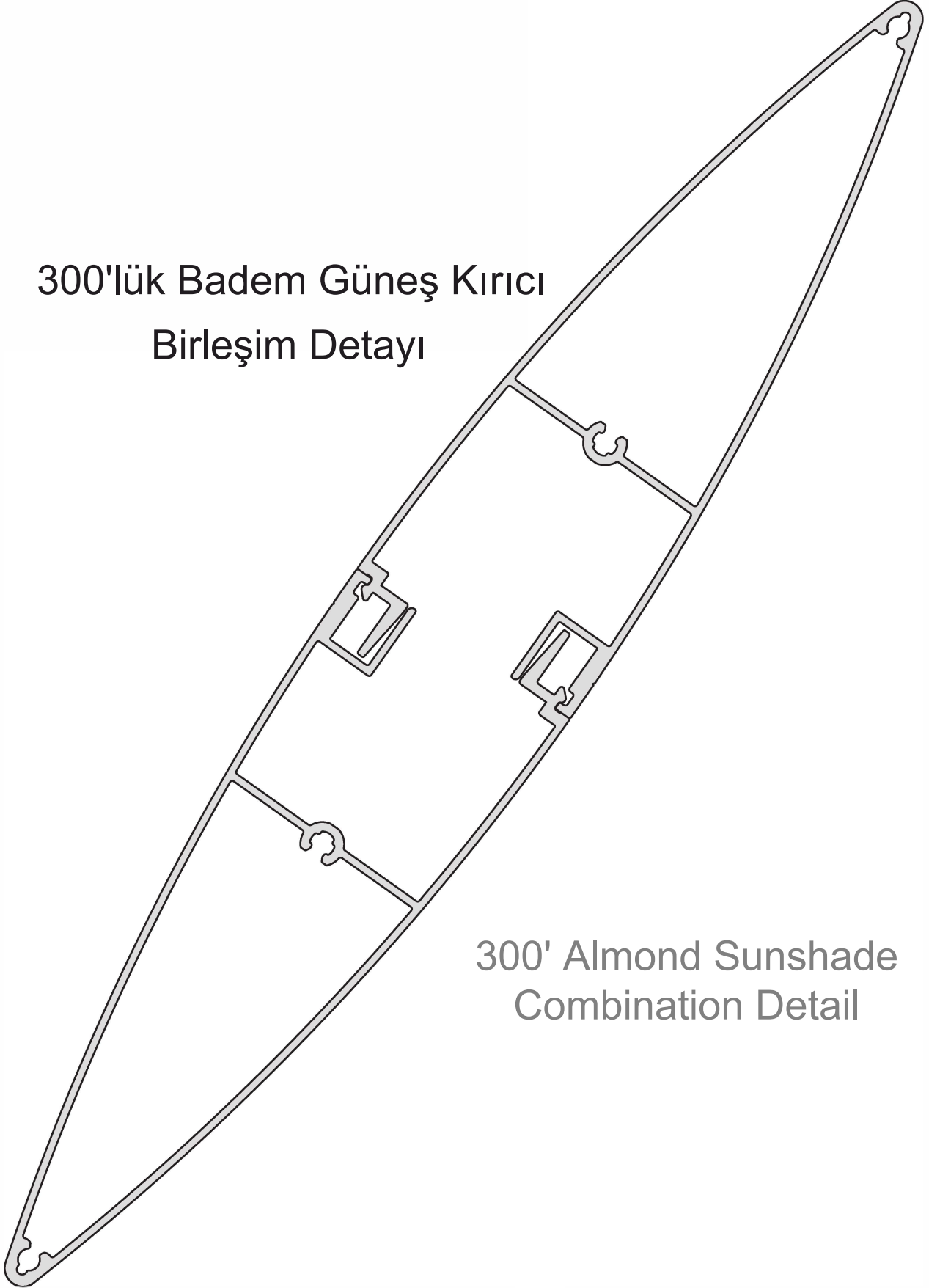
Güneş Kırıcı Detayı
Sunshade Detail



Yaprak Güneş Kırıcı Detayı
Leaf Sunshade Detail



**300'lük Badem Güneş Kırıcı
Birleşim Detayı**



**300' Almond Sunshade
Combination Detail**

ekin PROFİL®

ALÜMİNYUM SİSTEMLER



ekin PROFİL®

ALÜMİNYUM SİSTEMLER

- 📍 2. OSB, Havaalanı Yolu 4.km Yeşilyurt 44900 Malatya TÜRKİYE
- ☎ +90 444 0 874
- 📞 +90 549 712 4441
- ✉ info@ozekin.com.tr
- 🌐 www.ozekin.com.tr



öz
ekin®
Grup

